

- 1U High, 5 x 3" Foot Print Mini Chassis
- Universal AC Input
- Industrial Approvals (Medical available)
- 1.5 to 58 Volts, 1 to 8 Outputs
- High Efficiency – up to 89%
- I²C Control Option
- Remote Current/Voltage Programming
- Accurate Current Sharing
- Parallel & Series O/P Module Capability



Description : The NEVO+600 series is a modular factory or user configurable power supply offering unrivalled performance and flexibility. Delivering up to 600 Watts from 5 x 3" x 1U height package, the NEVO is the ultimate power solution for the applications where size and weight are vital factors. Each system consists of an input chassis together with up to four isolated output modules which can be connected in series or parallel for higher Voltages or Power if required. The series carries full UL60950 safety approvals for Industrial applications (medical versions are available) and comply with EN61000-3, EN61000-4 and EN55022-B EMC standards.

Specification

Input Voltage..... 85~264 VAC (120~370 VDC), 47~63 Hz
 Power Factor..... 0.96 typical, (300 watts @ 240 VAC input)
 Output Voltage..... See table below for output module options
 Output Power 600 Watts Maximum (depends on output modules used)
 Over Load Protection..... 105% ~ 125% of rated current
 Over Voltage Protection..... 5V(9.5V), 12V(18V), 24V(36V), 48V(66V), Latching
 Hold Up Time..... 20 ms (600 watts @ 180VAC input, typical)
 Efficiency..... 86-89% dependent on output voltage
 Operating Temperature..... -20 °C to +70 °C, see derating curve
 Storage Temperature..... -40 to +85 °C
 Isolation..... I/P-O/P: 4 kVAC,
 Humidity..... 5~95% relative humidity, non condensing
 EMC..... EN55011, EN55022, FCC, EN61000-3,2,3, EN61000-4-2,3,4,5,6,8,11
 Safety Approvals..... UL60950-1, IEC/EN60950-1, CSA-C22.2 No. 60950-1-03
 UL60601-1 for Medical version
 Dimensions (Housing)..... 133.7(L) x 77.7(W) x 41(H) mm (plus terminals to length).

Output Modules, any combination of up to 4 modules coded 1 to 7 can be fitted within a single chassis.

Output Power Module	Nominal Output Voltage	Output Voltage Range	Maximum Output Current / Wattage
Output Module 1	5 V	1.5 ~ 7.5 V	25 Amps / 125 Watts
Output Module 2	12 V	4.5 ~ 15 V	15 Amps / 150 Watts
Output Module 3	24 V	9 ~ 30 V	7.5 Amps / 150 Watts
Output Module 4	48 V	18 ~ 58 V	3.75 Amps / 150 Watts
Output Module 5	Dual Isolated Outputs	Both 5 ~ 15 V	Both 5 Amps / 75 Watts
Output Module 6	Dual Isolated Outputs	Both 1.8 ~ 5 V	Both 5 Amps / 75 Watts
Output Module 7	5 Volts & 12 Volts	1.8 ~ 5 V & 5 ~ 15 V	Both 5 Amps / 75 Watts

Part Numbering System

NEVO+600S, Industrial Universal Input 600 Watt Chassis,
 NEVO+600M, Medical Universal Input 600 Watt Chassis,

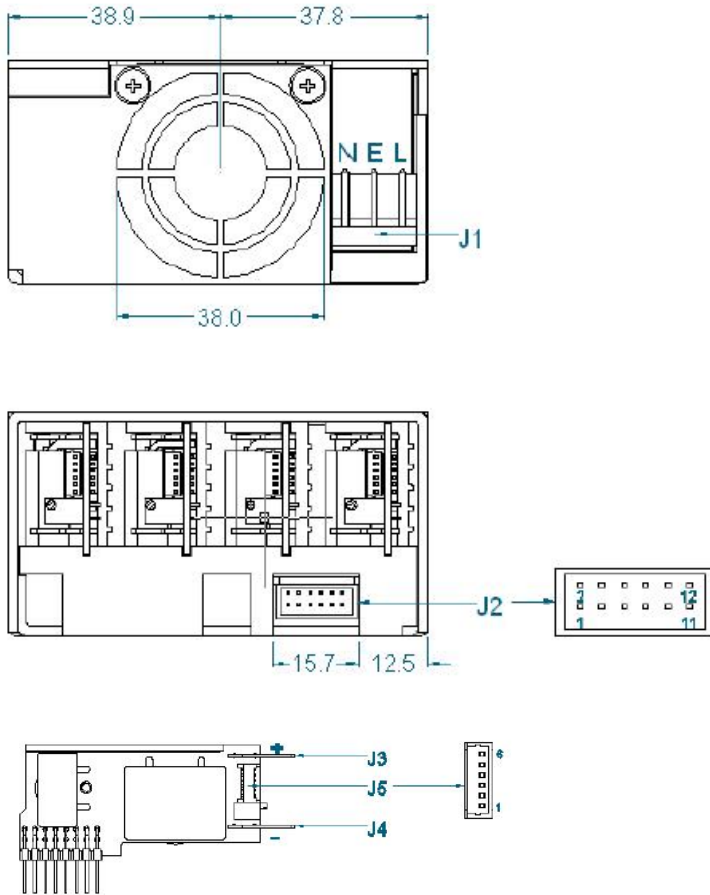
Example part numbers for Industrial units :

- NEVO+600S-1-2-3-4, Nominal Outputs, 5 Volts, 12 Volts, 24 Volts, 48 Volts
- NEVO+600S-1-1-3-3, Nominal Outputs, 5 Volts, 5 Volts, 24 Volts, 24 Volts
- NEVO+600S-2-4-5-6, Nominal Outputs, 12 Volts, 48 Volts, Dual 5~15 V, Dual 1.8~5 V
- NEVO+600S-2-3-4/36-0, Nominal Outputs, 12 Volts, 24 Volts, and module 4 pre-set to 36 Volts

Special outputs voltages within the above module ranges can be customer or factory set.

Output modules can be connected in Series to increase voltages and identical modules can be connected in Parallel to increase power. Please contact ALL PSU for your exact output configuration requirements.

Connection Details



J1	
PIN	Assignment
1	Live
2	Earth
3	Neutral

J2		
PIN	Assignment	
1	Power Good	Slot A
2	Inhibit	
3	Power Good	Slot B
4	Inhibit	
5	Power Good	Slot C
6	Inhibit	
7	Power Good	Slot D
8	Inhibit	
9	Global Inhibit	
10	AC OK	
11	+5V 200mA Bias Supply	
12	Common	

J3	
1	Positive Output

J4	
1	Negative Output

J5	
1	- Sense
2	+ Sense
3	Voltage Control
4	Current Control / Share / Out
5	Common
6	+5V local bias supply

Ref.	Connector Details	Manufacturer	Housing	Terminal
J1	Mains Input : 3 PIN.5.08 with friction lock, 18~24 AWG	Molex	10013036	8701031
J2	Global Signals: 12 PIN, 2mm, with friction lock 24~30 AWG	Molex	511101260	503948051
J2	IDT Alternative for J2	Molex	875681273	N/A
J3/J4	Output Power Terminal : Tab Size 6.35mm x 0.8mm	Various	N/A	N/A
J5	Output Signals: 6 PIN, 1.25mm, with friction lock, 28~32 AWG	Molex	1510210600	50058800

Notes

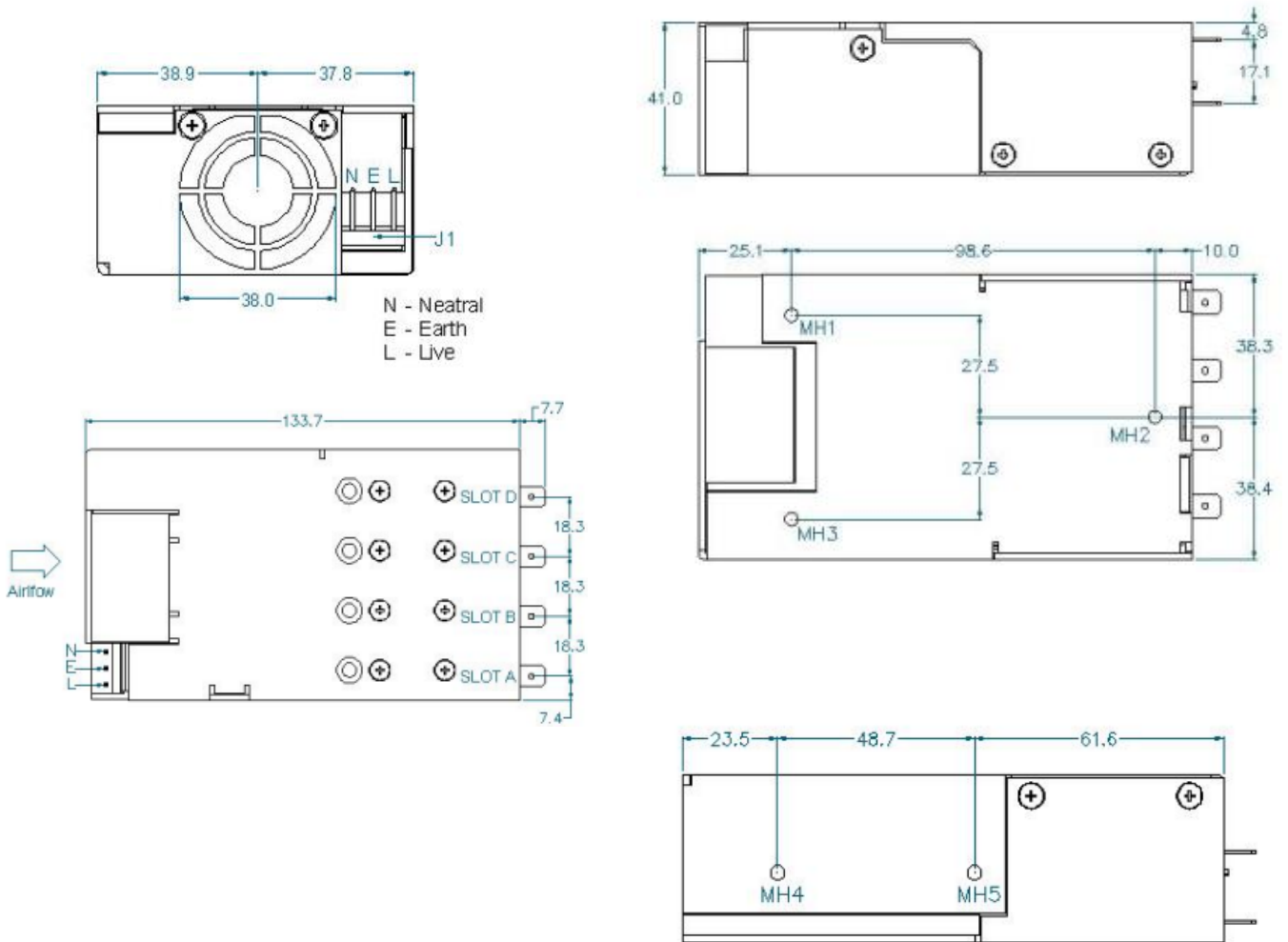
- Terminal and wire current rating must exceed max short circuit output current. eg O/P 1 = 25 x 1.25 = 31.25 A
- Direct equivalents may be used for any connector parts
- All cables must be rated 105°C min, equivalent to UL1015

Please see next page for external mechanical details

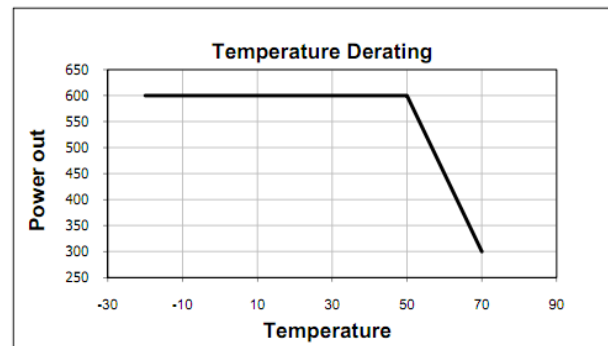
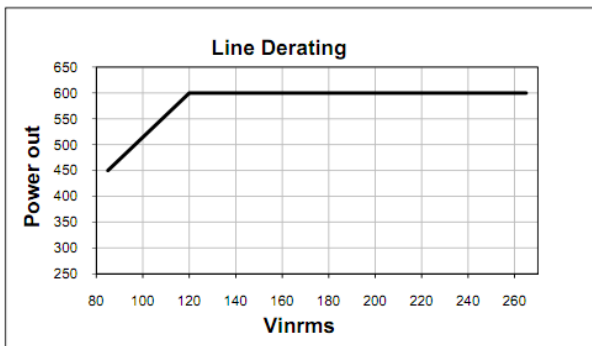
Specifications are subject to change without notice, E&OE. ALL PSU Terms & Conditions apply.

**ALL PSU Ltd, Unit D6 Laser Quay, Culpeper Close, Medway City Estate,
Rochester, Kent, ME2 4HU, Tel : 01634 725527, Fax : 01634 739111,
Email : sales@allpsu.co.uk, Web : www.allpsu.co.uk**

Mechanical Details



Derating Curves



Specifications are subject to change without notice, E&OE. ALL PSU Terms & Conditions apply.

**ALL PSU Ltd, Unit D6 Laser Quay, Culpeper Close, Medway City Estate,
Rochester, Kent, ME2 4HU, Tel : 01634 725527, Fax : 01634 739111,
Email : sales@allpsu.co.uk, Web : www.allpsu.co.uk**