

240 Watt, AQF Series, U-Channel Power Supply

ALL PSU LTD
Electronic Power Solutions

- Universal AC Input
- U-Channel or fully enclosed options
- Ultra High Efficiency – up to 93%
- Short Circuit, OVP Protected
- Convection Cooled to 50°C
- Very compact case size
- Full Approvals: UL/CE
- 2 Year Warranty



(Picture above shows U-Channel version, fully enclosed option available)

Specification

Input Voltage.....	90~264 VAC, 47~63 Hz (120-370 VDC)
Inrush Current.....	30 A @ 115 VAC, 60 A @ 230 VAC Max
Output Voltage.....	See table below, +/-2% preset accuracy
Load Regulation (5% to full load).....	+/-1%
Line Regulation (full range).....	+/-1%
Over Voltage Protection.....	Latch Off
Over Power Protection.....	Auto Recovery
Short Circuit Protection.....	Latch Off
Hold Up Time.....	13 ms minimum
Input to Output Isolation.....	I/P-O/P: 4 kVAC,
Operating Temperature	-10 to +70 °C, see derating curve
Storage Temperature.....	-25 to +85 °C
Switching Frequency.....	100 kHz
Safety Standards.....	UL60950, CE
EMC.....	EN55022 Class B, EN55024
Mechanical	150 x 106 x 35mm
Connections Input & Output.....	Screw Terminal Connections

Models and Ratings (Standard Outputs, alternative output voltages may be available on request.)

Model	Output 1	Output Current	Efficiency	Ripple & Noise
AQF240U-12S	12 V	20 A	90 %	120 mVp-p
AQF240U-24S	24 V	10 A	92 %	200 mVp-p
AQF240U-48S	48 V	5 A	93 %	200 mVp-p

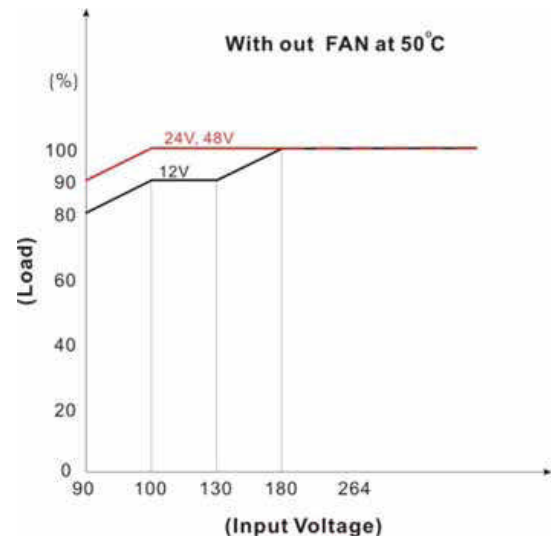
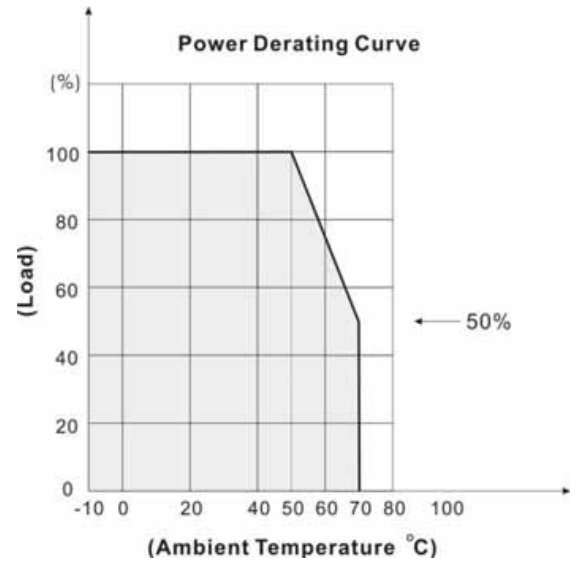
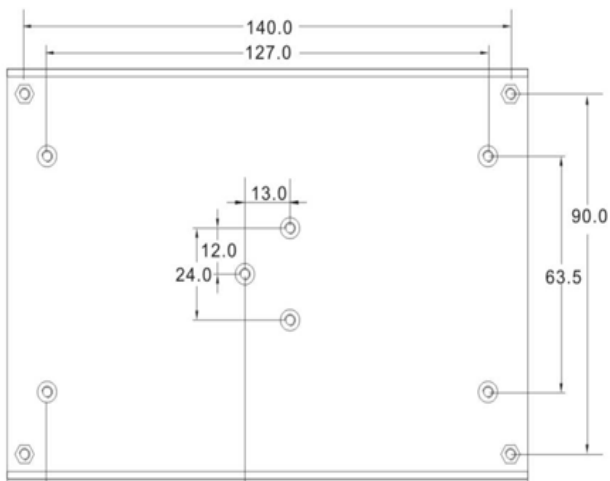
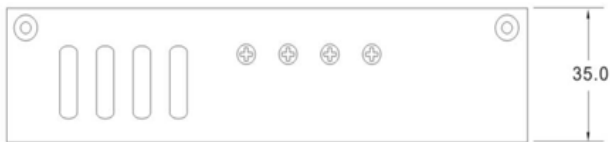
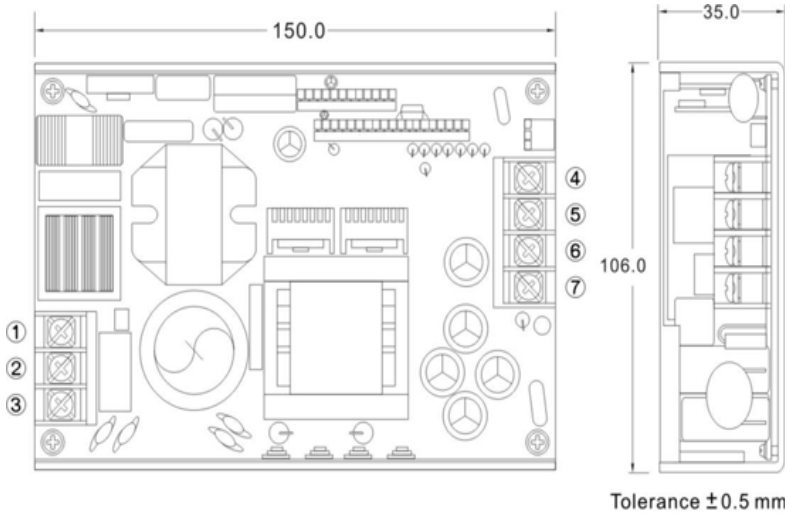
Fully enclosed version part numbers, replace "U" with "E", please see AQF240E data sheet for full details.

Please see next page for mechanical drawings.

**ALL PSU Ltd, Unit D6 Laser Quay, Culpeper Close, Medway City Estate,
Rochester, Kent, ME2 4HU, Tel : 01634 725527, Fax : 01634 739111
Email : sales@allpsu.co.uk, Web : www.allpsu.co.uk**

240 Watt, AQF Series, U-Channel Power Supply

ALL PSU LTD
Electronic Power Solutions



Terminal	Single Output
1	AC IN (L)
2	AC IN (N)
3	FG
4	+ DC Output
5	+ DC Output
6	- DC Output
7	- DC Output

Specifications may change without notice. E&OE. ALL PSU Terms & Conditions apply.

**ALL PSU Ltd, Unit D6 Laser Quay, Culpeper Close, Medway City Estate,
Rochester, Kent, ME2 4HU, Tel : 01634 725527, Fax : 01634 739111,
Email : sales@allpsu.co.uk Web : www.allpsu.co.uk**