

500 Watt, SP-500 Series, Enclosed Power Supply

ALL PSU LTD
Electronic Power Solutions

- Universal AC Input with PFC
- High Efficiency
- High Reliability, 3 Year Warranty
- Short Circuit, Over Voltage, Over Load, Over Temperature Protection
- Full Approvals : UL/CUL/TUV/CB/CE
- Remote On/Off Control
- Remote Sense
- Built In Cooling Fan ON/OFF Control



Specification

Input Voltage.....	.88~264 VAC, 47~63 Hz (124-370 VDC)
Power Factor.....	0.95 @ 230 VAC, 0.95 @ 115 VAC
Output Voltage.....	See table below (plus adjustment range)
Over Load Protection.....	105~135% O/P Fold back current limiting
Over Voltage Protection.....	Dependant On Model, typically 115~140%
Set Up, Rise, Hold Up Time.....	typ 1500ms, 50ms, 24ms @ Full Load
Withstand Voltage.....	I/P-O/P: 3 kVAC, I/P-F/G: 1.5kVAC, O/P-F/G: 0.5kVAC
Operating Temperature	-10 to +50 °C, see derating curve
Safety Standards.....	UL60950-1 TUV EN60950-1
EMC.....	EN55022, (CISPR22) EN61000-4-2,3,4,5,6,8,11 EN61000-3-2,3 ENV50204, Light Industrial Level Criteria A
Mechanical	170 x 120 x 93 mm (plus screw terminals to length)
Connections Input & Output.....	Screw Terminals

Models and Ratings

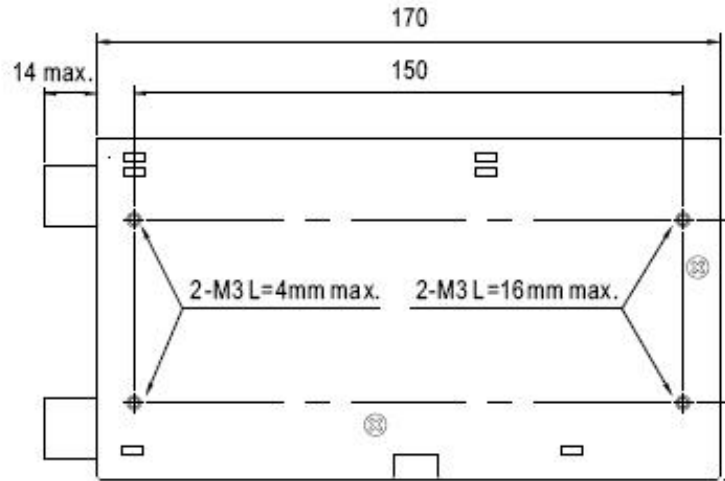
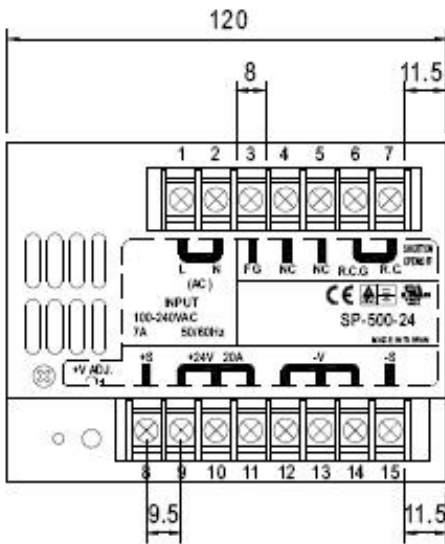
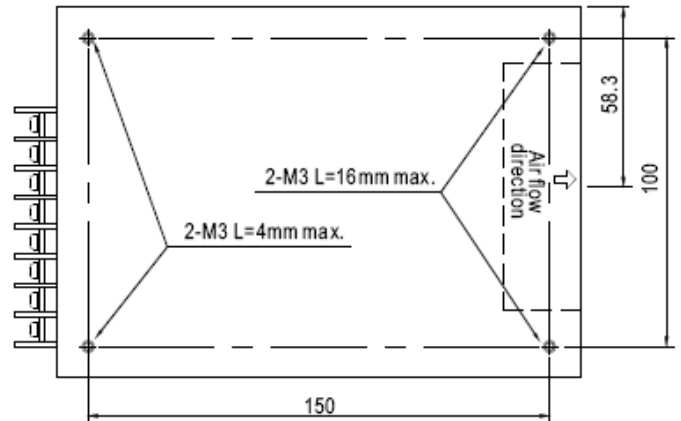
Model	Output Voltage	Output Current	Efficiency
SP-500-12	12 V	40 A	84 %
SP-500-13.5	13.5 V	36 A	84 %
SP-500-15	15 V	32 A	83 %
SP-500-24	24 V	20 A	85.5 %
SP-500-27	27 V	18 A	86.5 %
SP-500-48	48 V	10 A	87 %

Please see next page for mechanical drawings.

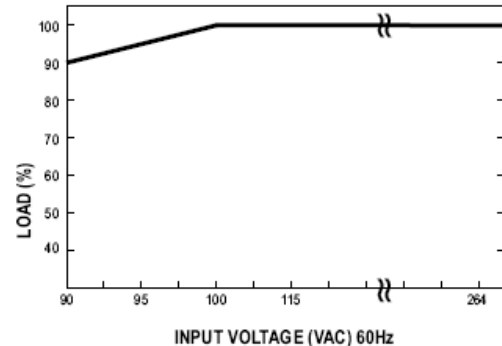
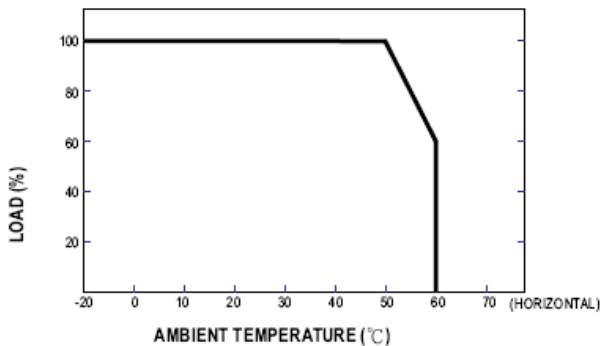
**ALL PSU Ltd, Unit D6 Laser Quay, Culpeper Close, Medway City Estate,
Rochester, Kent, ME2 4HU, Tel : 01634 725527, Fax : 01634 739111
Email : sales@allpsu.co.uk, Web : www.allpsu.co.uk**

Mechanical Drawings.

Input & Output Connections			
Terminal	Function	Terminal	Function
1	AC Live	7	R.C
2	AC Neutral	8	+Sense
3	Input Earth	9-11	+V Output
4, 5	NC	12-14	-V Output
6	R.C.G	15	-Sense



Derating, (Input AC Supply & Temperature)



Specifications may change without notice. E&OE. ALL PSU Terms & Conditions apply.

**ALL PSU Ltd, Unit D6 Laser Quay, Culpeper Close, Medway City Estate,
Rochester, Kent, ME2 4HU, Tel : 01634 725527, Fax : 01634 739111,
Email : sales@allpsu.co.uk Web : www.allpsu.co.uk**