

## 300 Watt, SPV Series, (Fully Enclosed, Single Output)

**ALL PSU LTD**  
Electronic Power Solutions

- Universal Input With PFC
- High Efficiency / Reliability
- Short Circuit, Over Load, Over Voltage, Over Temperature Protection
- Full Approvals : UL/CUL/TUV/CB/CE
- 3 Year Warranty
- Output Voltage Programmable from 20~110% by 1~5.5 VDC External Control Voltage



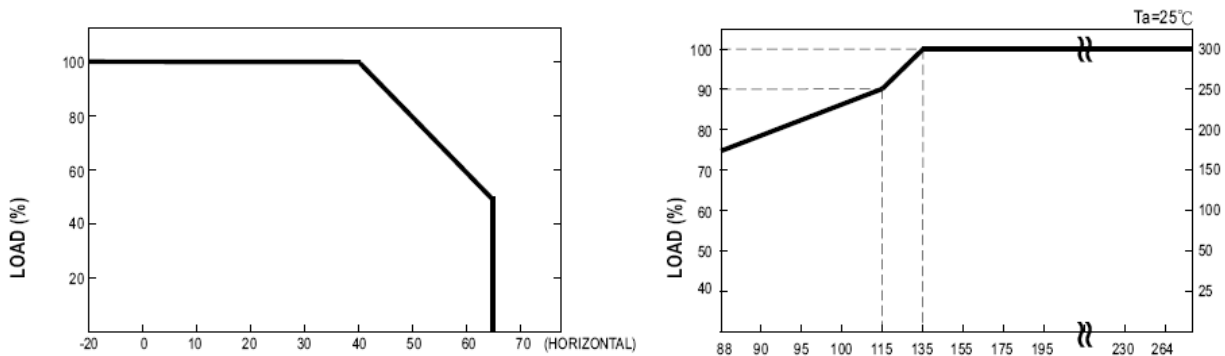
### Specification

Input Voltage.....	88~264 VAC, 47~63 Hz, (124~370 VDC)
Power Factor.....	0.98 @ 115 VAC, 0.95 @ 230 VAC
Output Voltage.....	See table below (plus adjustment range)
DC Output Adjustment.....	-15% ~ +10% via potentiometer, 20~110% by external control
Over Load Protection.....	105~135% constant current limiting, auto recovery
Over Voltage Protection.....	13.8~16.2V (12V), 27.6~32.4V (24V), 57.6~67.2V (48V)
Over Temp. Protection.....	80 °C, +/- 5 °C (shuts down output voltage, auto-recovery)
Set Up, Rise, Hold Up Time.....	800 ms, 50 ms, 16 ms @ 230 VAC
Isolation Voltage.....	I/P-O/P: 3 kVAC, I/P-FG: 1.5 kVAC, O/P-FG: 0.5 kVAC
Operating Temperature.....	-20 °C~+65 °C (see derating curve)
Safety Standards.....	UL60950-1, TUV EN60950-1
EMC Standard.....	EN55022 Class B, EN61000-4-2, 3, 4, 5, 6, 8, 11 EN61000-3-2, 3, ENV50204, EN55024 light industrial level, criteria A
MTBF.....	207 k hrs (MIL-HDBK-217F) @ 25 °C
Dimensions.....	215 x 115 x 50mm

### Models & Ratings

Model	Nominal Output Voltage	Output Voltage Programming Range	Maximum Output Current	Efficiency
SPV-300-12	12 V	2.4 to 13.2 V	25 A	83.5%
SPV-300-24	24 V	4.8 to 26.4 V	12.5 A	85%
SPV-300-48	48 V	9.6 to 52.8 V	6.25 A	86.5%

### Derating Curves, Ambient Temperature & AC Supply Voltage



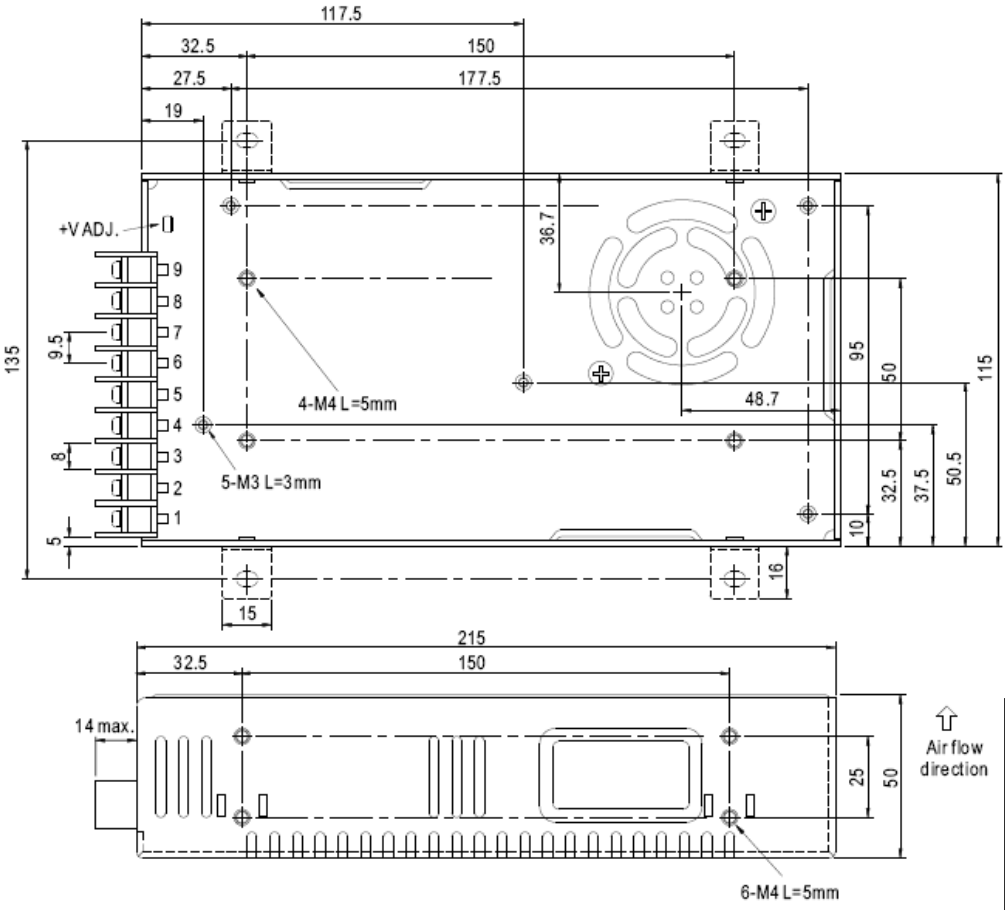
See next page for mechanical and connection details

**ALL PSU Ltd, Unit D6 Laser Quay, Culpeper Close, Medway City Estate,  
Rochester, Kent, ME2 4HU, Tel : 01634 725527, Fax : 01634 739111,  
Email: [sales@allpsu.co.uk](mailto:sales@allpsu.co.uk) Web: [www.allpsu.co.uk](http://www.allpsu.co.uk)**

# 300 Watt, SPV Series, (Fully Enclosed, Single Output)



## Mechanical Details



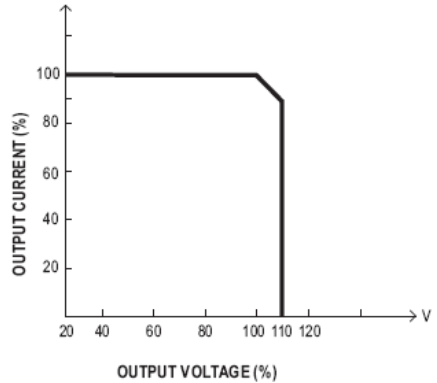
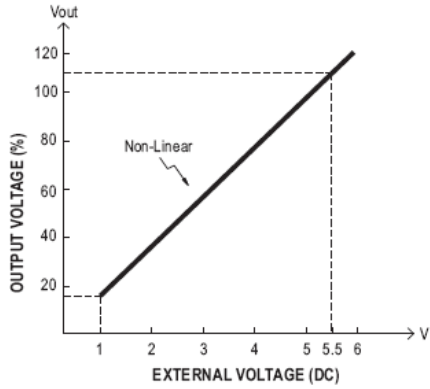
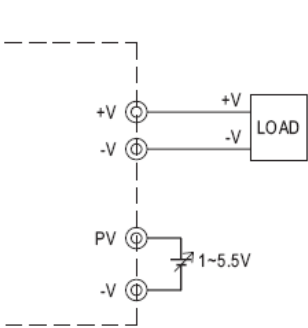
Drawing to left includes optional side fitted mounting lugs x 4

Terminal	Function
1	AC Live
2	AC Neutral
3	Earth
4	RC
5	PV
6-7	-V Out
8-9	+V Out

RC = Remote Control  
 0 to 0.8 Volts Output On  
 4 to 6 Volts Output Off

PV = Programming Voltage  
 1 to 5.5 Volts Input for 20 to 110% of nominal output Voltage

## External Programming Voltage Control



Specifications can change without notice, E&OE. ALL PSU Terms & Conditions apply.

**ALL PSU Ltd, Unit D6 Laser Quay, Culpeper Close, Medway City Estate,  
 Rochester, Kent, ME2 4HU, Tel : 01634 725527, Fax : 01634 739111,  
 Email: sales@allpsu.co.uk Web: www.allpsu.co.uk**