

ALL PSU DATA SHEET.

ECL Series 2 Watt Isolated DC-DC Converter, Single Output.

(Miniature Encapsulated Single-in-Line Package, Option of Dual-in-Line Style).

General Description,

The ECL series are cost effective 2 Watt single output DC-DC converters. These converters achieve low cost and ultra-miniature SIP (Single-in-Line) 4 pin size without compromising performance or field reliability. Input voltages are available of 5,12, 15, 24 & 48 Volts DC, producing single output voltage levels of 3.3 to 24 Volts. Standard features include 1000 VDC input to output isolation, high efficiency, and output voltage accuracy of +/-5% maximum.

All models are packaged in ultra-miniature 11.68 x 7.50 x 10.16mm single-inline package (SIL). Operation is specified over the full operating temperature range of -40°C to +71°C with no derating required. Cooling is by free-air convection.

Electrical Specification,

Specifications typical at +25°C, nominal input voltage, rated output current unless otherwise specified.

Input Specifications:

Voltage Range +/--10%
Filter Capacitor

General Specifications:

Efficiency 70% to 85%
Switching Frequency 80 KHz Typical

Isolation Specifications:

Rated Voltage 1000 Vdc
Leakage Current 1 mA
Resistance 10 to the 9 Ohm
Capacitance 60 pF, typical

Environmental Specifications:

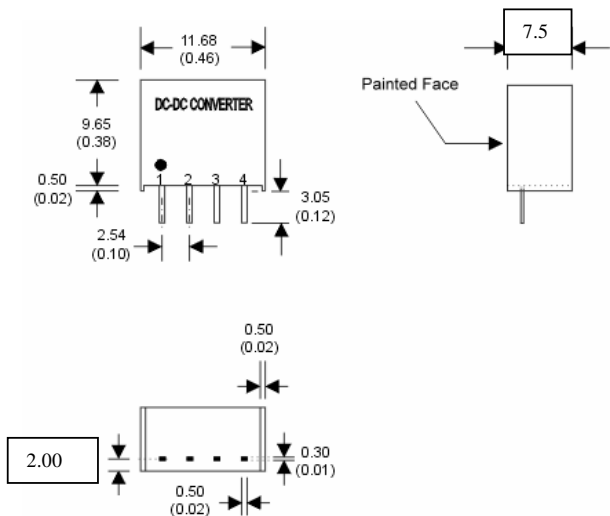
Operating Temp (ambient) -40°C to +85°C
Storage Temp -55°C to +125°C
Derating None Required To +71°C
Humidity 90% non-condensing
Cooling Free-air convection

Output Specifications:

Voltage Accuracy +/--5%, max
Ripple & Noise (at 20 MHz BW) 150 mVp-p, max
Short Circuit Protection 1 Second
Line Voltage Regulation +/--1.2%/1% Vin
Load Voltage Regulation +/--8%, load=20 to 100%
Temperature Coefficient +/--0.02%/°C

Physical Characteristics:

Dimensions SIP 11.68 x 7.50 x 10.16mm
Weight 2.5 g
Case Material Non-conductive black plastic



Mechanical Drawing & Pin Connections SIL, Single-In-Line Version.

Pin	Connection
1	-V Input
2	+V Input
3	-V Output
4	+V Output

Example Part Number : ECL-2412S
Input 24 Volts to Output 12 Volts at 2
Watts, Single-in-Line Package.

Further DC-DC Converters From 0.5 Watt
To 2400 Watts Are Available And Can Be
seen Listed At www.allpsu.co.uk

Specifications May Change Without Notice, E&OE. ALL PSU Terms & Conditions Apply.

ALL PSU Ltd, Unit D6 Laser Quay, Culpeper Close, Medway City Estate,
Rochester, Kent, ME2 4HU, Tel : 01634 725527, Fax : 01634 739111,
Email: sales@allpsu.co.uk, Web: www.allpsu.co.uk