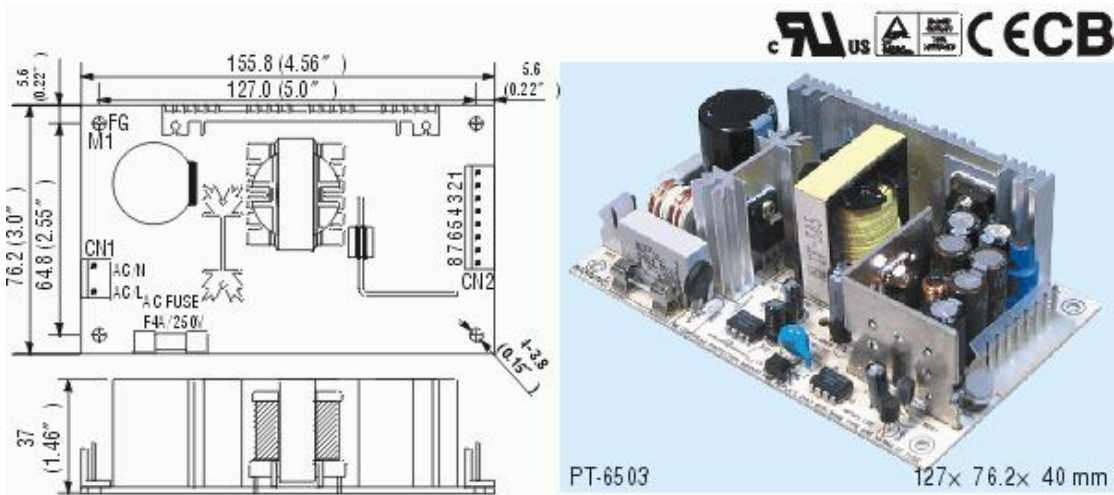


ALL PSU DATA SHEET.

65 Watt Open Frame Series (ATX Output Model)



Features.

High Efficiency/High Reliability
 100% Full Load Burn In
 Full Approvals UL,CUL,TUV,CB,CE
 Industry Standard 5 x 3" Footprint
 Total power CH1+2=54Watts

Built In EMI Filter/Low Ripple Noise
 Short Circuit, Over Voltage, Over Load-
 Protection
 Low Cost, From Stock/Short Lead Time
 2 Years Warranty

Specification.

Universal Input
 Inrush current
 Output Voltage
 Fix switching frequency
 Over Load Protection
 Over Voltage Protection
 Leakage current
 Set Up, Rise, Hold Up Time
 Withstand Voltage

90~264 VAC, 47~63Hz /127~370VDC
 cold start, 20A/ 115V, 40A/ 230 V
 See Table Below, Adjustment on 3.3V
 at 65KHz
 120~160% Output Pulsing Mode
 115~135% Of +5V Output
 <1mA
 800ms, 20ms, 16ms
 I/P-O/P : 3KV, I/P-FG : 1.5KV,
 O/P-FG : 0.5KV, 1 Min

Operating Temperature

-10°C ~ +60°C (Refer to output derating
 curve)

Storage Temperature

-20~+85°C,

Safety Standard

UL1950, TUV EN60950 approved

EMC Standard

EN55022 Class B, EN61000-3-2,3

EN61000-4-2,3,4,5,6,11

Connection

8P/ 3.96mm pitch, molex P/N:5273

Model	Output	Ripple/Noise	Efficiency
PT-6503	+3.3V, 0.0-7.0A	50mV	72%
	+5V, 0.2-10A	50mV	
	+12V, 0.0-1.2A	100mV	

For full specification, mechanical and connection details please contact ALL PSU sales office.

Specifications can change without notice, E&OE. ALL PSU Terms & Conditions Apply.

Other Open Frame Units Are Available, Please Enquire Or Visit www.allpsu.co.uk

ALL PSU Ltd, Unit D6 Laser Quay, Culpeper Close, Medway City Estate,
 Rochester, Kent, ME2 4HU, Tel : 01634 725527, Fax : 01634 739111

Email : sales@allpsu.co.uk, Web : www.allpsu.co.uk