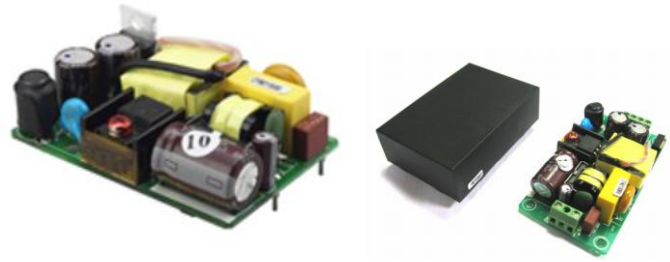


## 21 Watt, CFM21 Series, Open Frame (Single Output)



electronicpowersolutions

- **ITE and Medical Safety Approvals**
- PCB Mounting or Chassis Mounting
- Screw Terminal or Pins Connection Options
- Encapsulated Option
- No Load Input Power <0.3 Watts
- Leakage Current <0.1mA
- Protected for Short Circuit / Over Voltage
- Miniature footprint from 60.5 x 40.6 mm
- 2 Year Warranty



Encapsulated & Screw terminal Connections available as options

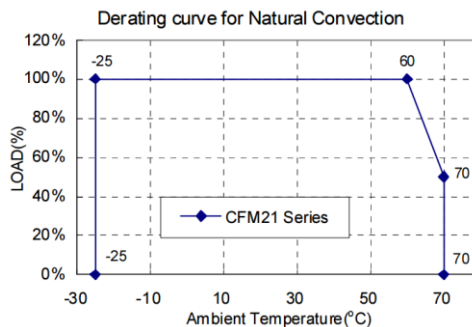
### Specification

Input Voltage.....	90~264 VAC, 47~63 Hz
Inrush Current.....	40 A max @ 230 VAC
Output Voltage.....	See table below
Line Regulation.....	+/-0.5% Full AC Range at Full Load
Load Regulation.....	+/- 1% Over 10% to 100% Load
Operating Temperature.....	-25°C to 70 °C, (See derating curve)
Storage Temperature.....	-40 °C to 85 °C
Safety Standards.....	UL60601-1, EN60601-1, IEC60601-1 (Medical) UL60950-1, EN60950-1, IEC60950-1
EMC Standards.....	EN55022 CISPR Class B, EN55024, EN61204-3
Input / Output Connections .....	PCB mounting Pins standard, Screw terminal or JST connections as options
Dimensions.....	PCB Mounting : 60.5(L) x 40.6(W) x 20.4(H) mm Screw Terminal / JST option : 76.2(L) x 40.6(W) x 19.5(H) mm Encapsulated : 64.2(L) x 44.2(W) x 20.4(H) mm
Weight.....	50g ~ 105g dependent on mechanical format
MTBF.....	650Khrs

### Models and Ratings

Model	Output Voltage	Output Current	Efficiency
CFM21S033	3.3 V	4 A	75%
CFM21S050	5 V	4 A	80%
CFM21S090	9 V	2.3 A	81%
CFM21S120	12 V	1.7 A	83%
CFM21S150	15 V	1.4 A	84%
CFM21S240	24 V	0.9 A	85%

- Notes : 1) Chassis mount / JST connections part number becomes : CFM21SXXX-T  
 2) Chassis mount / screw terminal connections part number becomes: CFM21SXXX-S  
 3) Encapsulated option part number becomes : CFM21SXXX-E



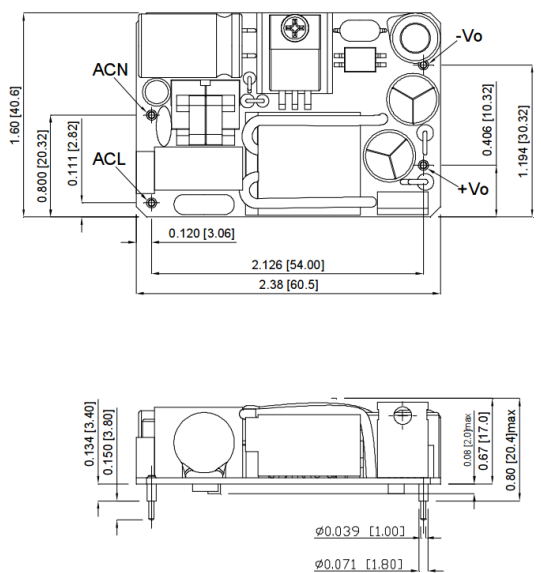
Specifications are subject to change without notice, E&OE. ALL PSU Terms & Conditions Apply.

**ALL PSU Ltd, Unit D6 Laser Quay, Culpeper Close, Medway City Estate,  
 Rochester, Kent, ME2 4HU, Tel : 01634 725527, Fax : 01634 739111  
 Email : sales@allpsu.co.uk, Web : www.allpsu.co.uk**

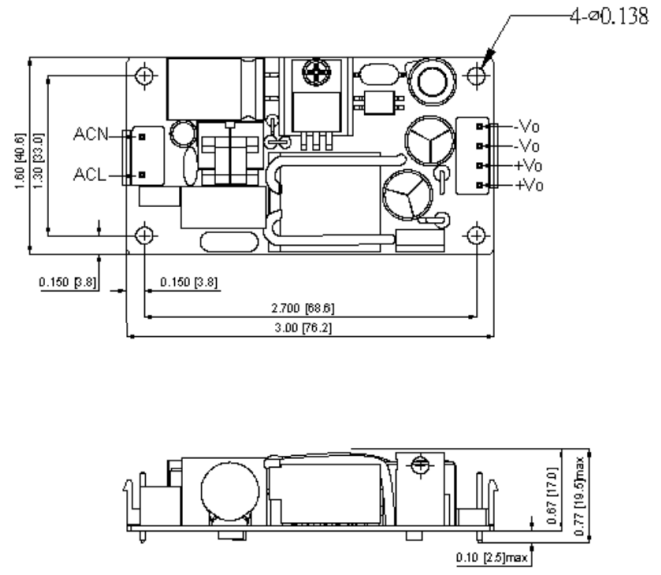


**Mechanical Details**

**CFM21SXXX**  
Standard PCB Mounting

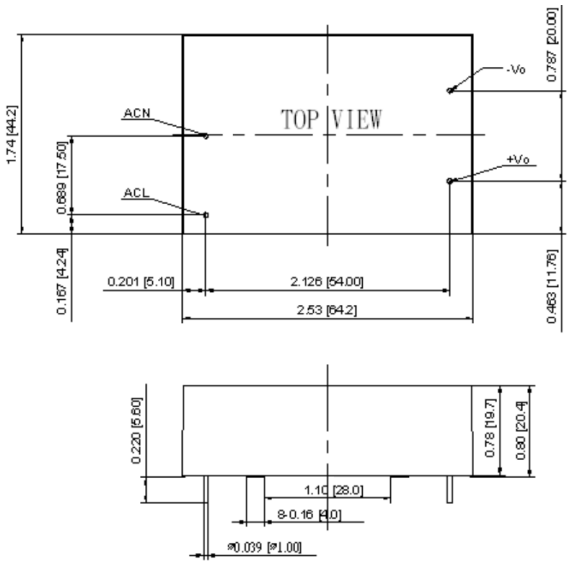


**CFM21SXXX-T**  
JST Connections

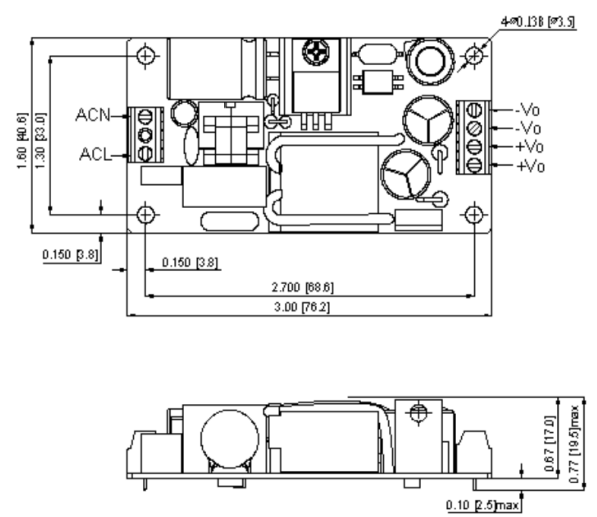


T Version Connections: JST B3P-VH / B4P-VH or equivalent

**CFM21SXXX-E**  
Encapsulated



**CFM21SXXX-S**  
Screw Terminals



Specifications are subject to change without notice, E&OE. ALL PSU Terms & Conditions Apply.