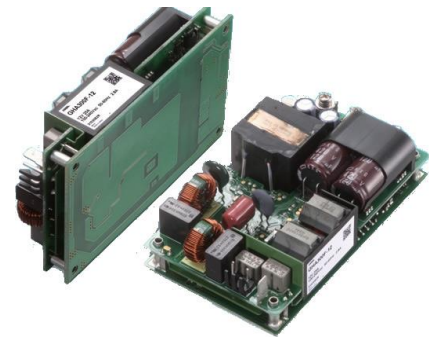




300 Watt, GHA300 Series, Power Supply (Single Output)

- 5" x 3" Ultra Compact Foot-Print
- Only 35mm high – fits 1U applications
- Industrial 60950 & Medical 60601 Approvals
- Convection or Fan cooled ratings
- Options include : Remote ON/OFF, 12V AUX, 5V AUX, Power Good Signal
- Protections : Inrush current, Overcurrent, Overvoltage
- High Efficiency up to 92%
- 5 Year Warranty



Specification (typical values shown)

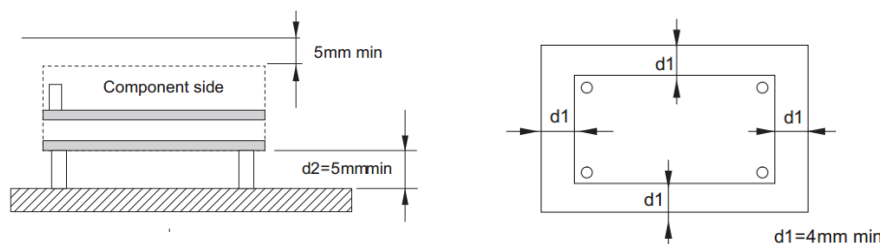
Input Range.....	90-264 Volts AC (130-370 VDC)
Power Factor.....	0.95 (120 VAC Input) 0.9 (230 VAC Input)
Outputs.....	Single (see table below plus output trim range)
Start Up Time.....	500ms typical (120 VAC Input full load)
Hold Up Time.....	16ms typical (120 VAC Input full load)
Line Regulation.....	+/-0.4% max.
Load Regulation.....	+/-0.625% max.
Efficiency.....	See table for each model
Over Current Protection.....	above 105% of nominal max output, auto recovery
Isolation Voltage.....	I/P~O/P: 4kVDC
Operating Temperature.....	-20 to +70 °C see derating curve
Storage Temperature.....	-30 to +75 °C
Approvals/EMC.....	UL60950-1, cUL, EN60950-1, EN60601-1 ANSI/AMII ES60601-1, FCC-B, VCCI-B, CISPR11-B, CISPR22-B, EN55011-B, EN55022-B, IEC61000-3-2 (Class A)
Size.....	127 x 76.2 x 35mm
Cooling.....	Convection or External Fan
Weight.....	400 g Max

Models and Ratings (Max Output Current ratings are with external fan cooling)

Model	Output Voltage	Output Trim Range	Max Output Current	Efficiency
GHA300F-12	12 Volts	10.8~13.2 Volts	25 Amps	91 %
GHA300F-24	24 Volts	21.6~26.4 Volts	12.5 Amps	92 %
GHA300F-48	48 Volts	43.2~52.8 Volts	6.3 Amps	92 %

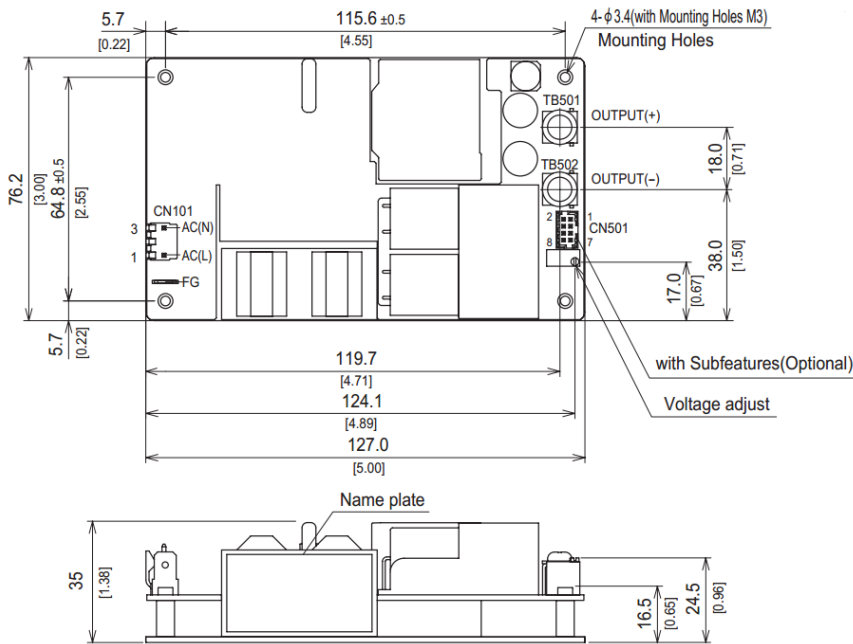
- Notes :- T3 Option for 4 x Threaded M3 mounting holes, standard unit has through holes
 :- J1 Option for JST Input and Options connectors, standard unit has Molex connectors
 :- R3 Option for sub features : remote ON/OFF, 12V AUX, 5V AUX, Power good Signal

Mounting instructions : (allow 5mm above and below and 4mm around unit for cooling).

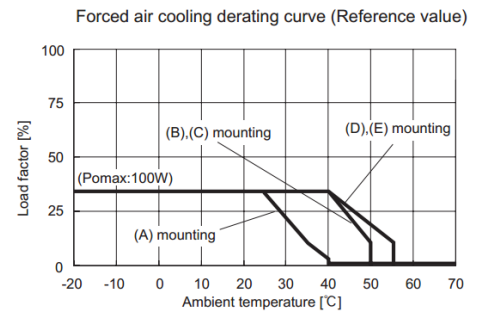
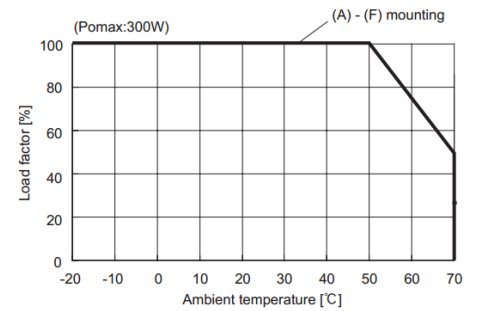


300 Watt, GHA300 Series, Power Supply (Single Output)

Mechanical Details and Connections



Derating curves (including mounting positions)



Convection cooling derating curve (Reference value)

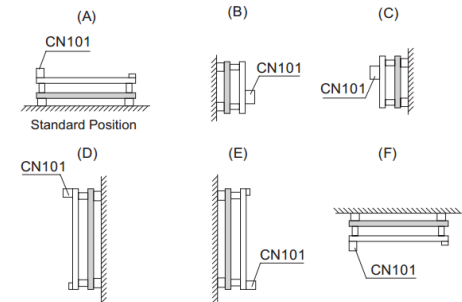


Fig.3.11 Mounting method

Input & Options Connector		Mating Connector	Terminal (crimps)	Mfr
CN101	A-41671-A03A197-2	09-50-8031	08-50-0105 08-65-0114	Molex
CN501 (Optional)	087031-0820	51110-0851	50394-8051	
Optional JST connectors (option J1)				
CN101	B2P3-VH	VHR-3N	SVH-21T-P1.1	JST
CN501 (Optional)	B8B-PHDSS	PHDR-08VS	SPHD-002T-P0.5	

GND / Earth Faston Tab	Terminal	Mfr
250 Series	170603-2	Tyco Electronics

CN101 AC Input Connector

Pin No.	Function
1	AC Live
2	No Pin
3	AC Neutral

CN501 Options Connector :

Pin No	Function
1	AUX1 : 12 Volt 1 Amp
2	AUX1G : AUX1 (GND)
3	RC1 : Remote ON/OFF
4	RGC : Remote ON/OFF (GND)
5	PG : Power Good
6	PGG : Power Good (GND)
7	AUX2 : 5 Volt 1 Amp
8	AUX2G : AUX2 (GND)