

- Ultra Compact 2" x 4" Footprint
- Universal AC Input
- Low 1U Profile
- Short Circuit & Over Temperature Protection
- Market Leading Power : Size
- Auxiliary 12V Output
- Industrial and Medical Versions



**Specification**

Input Voltage.....	90~264 VAC, 47~63 Hz (170-370 VDC)
Output Voltage.....	See table below (plus min +/-5% adjustment on O/P1)
Output Power.....	See table
Cooling.....	200 LFM required for operation up to 150 Watts Convection Cooled up to 100 Watts
Line Regulation (90~264 VAC).....	+/-0.1%
Load Regulation (10~100%).....	+/-1% (O/P1), +/-5% (Aux. O/P)
Efficiency.....	90% @ full load
Hold Up Time.....	16 ms (230 VAC) at min load
Over Voltage Protection.....	Redundant protection for open feedback
Short Circuit Protection.....	110-130% of max. load (auto-recovery)
Ripple And Noise.....	Typically 1% of output
EMC.....	EN55022 Class B, EN61000-3-3, EN61000-4-2, 3, 4, 5, 6, 8, 11
Safety Standards.....	EN60950, IEC60950, UL/cUL60950 (EN60601-1, IEC60601-1, UL/cUL60601-1 - medical versions)
Isolation.....	3 kV input to output (4 kVAC I/P-O/P for medical versions)
Operating Temperature.....	-20 to +50 °C (derate linearly to 50% load @ 70 °C)
Storage Temperature.....	-20 to +85 °C
Vibration.....	2G, 5-500 Hz, across 3 axis
MTBF.....	100 khrs (convection cooled), 300khrs (forced air cooled)

**Models and Ratings**

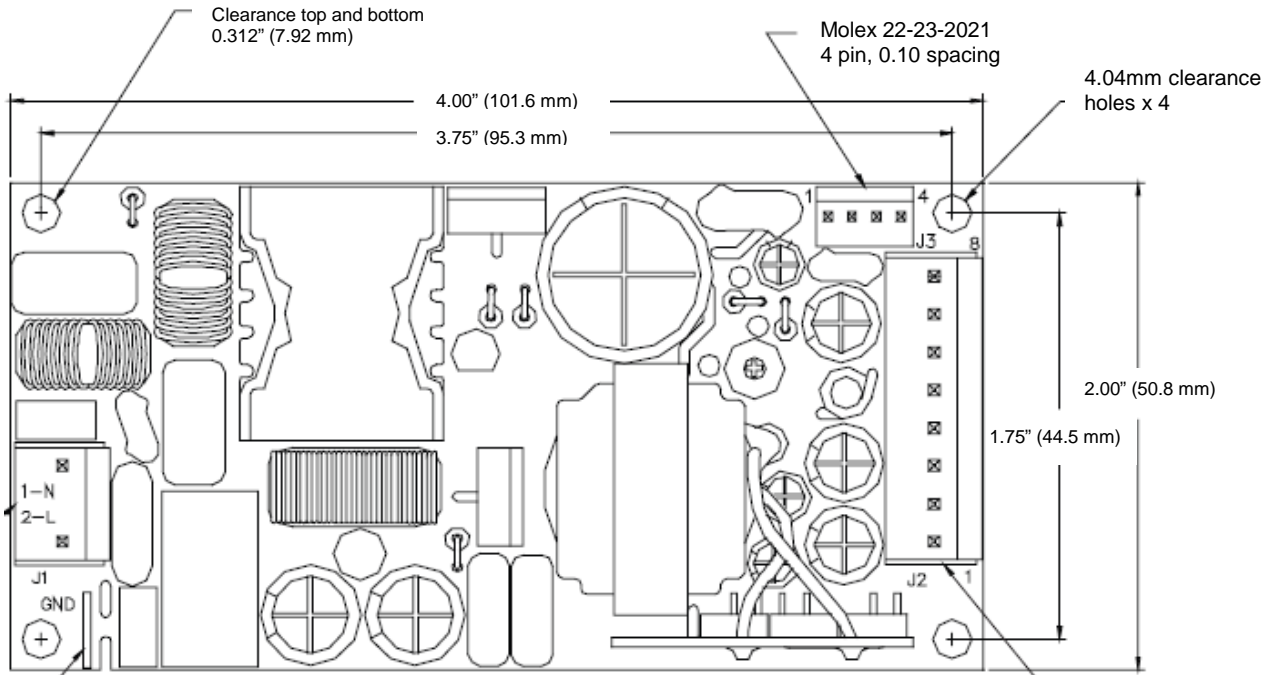
Model	Model (Medical Version)	Output (VDC)		Max Output Current (200 LFM of air)		Max Output Current Convection Cooled	
		Main	Aux	Main	Aux	Main	Aux
ASL150-5	ASM150-5	5 V	12 V	20 A	1 A	16 A	0.5 A
ASL150-12	ASM150-12	12 V	12 V	13.3 A	1 A	8.3 A	0.5 A
ASL150-24	ASM150-24	24 V	12 V	6.66 A	1 A	4.2 A	0.5 A
ASL150-48	ASM150-48	48 V	12 V	3.33 A	1 A	2.1 A	0.5 A

**For mechanical details and pinout, see next page.**

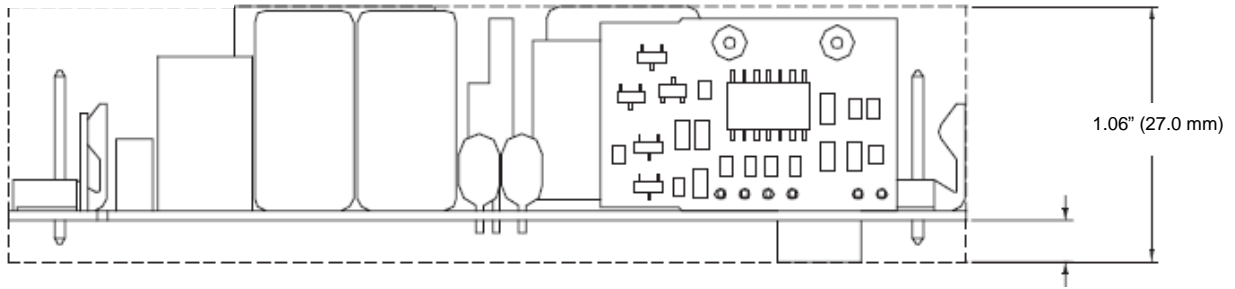
Specifications may change without notice, E&OE. ALL PSU Terms & Conditions apply.

ALL PSU Ltd, Unit D6 Laser Quay, Culpeper Close, Medway City Estate,  
Rochester, Kent, ME2 4HU, Tel : 01634 725527, Fax : 01634 739111  
Email : sales@allpsu.co.uk, Web : www.allpsu.co.uk

**Mechanical Details and Pinout**



AC Ground via 6.35mm spade connector



0.17" (4.4 mm)  
SMT component height max.

Pin Number	Function		
	J1 (input)	J2 (output)	J3 (output)
1	AC Neutral	Rtn	Rtn
2	AC Live	Rtn	Rtn
3		Rtn	+12V (Fan)
4		Rtn	+12V (Fan)
5		V Out	
6		V Out	
7		V Out	
8		V Out	

Connector J1 is a Molex 26-60-4030, 3 pin (centre pin removed)  
 Connector J2 is a Molex 26-60-4080, 8 pin (0.156" spacing)  
 Connector J3 is a Molex 22-23-2021, 4 pin (0.10" spacing)

Specifications may change without notice, E&OE. ALL PSU Terms & Conditions apply.

ALL PSU Ltd, Unit D6 Laser Quay, Culpeper Close, Medway City Estate,  
 Rochester, Kent, ME2 4HU, Tel : 01634 725527, Fax : 01634 739111  
 Email : sales@allpsu.co.uk, Web : www.allpsu.co.uk