

160W, ECO-160 Series, Open Frame, (Single Output + Aux)



- Ultra Compact 2" x 4" Footprint
- Universal AC Input
- Low 1U Profile
- Short Circuit & Over Temperature Protection
- Market Leading Power : Size
- Auxiliary 12V Output
- Industrial and Medically Approved



Specification

Input Voltage.....	90~264 VAC, 47~63 Hz (170-370 VDC)
Output Voltage.....	See table below (plus min +/-5% adjustment on O/P1)
Output Power.....	See table
Cooling.....	200 LFM required for operation up to 160 Watts Convection Cooled up to 100 Watts
Line Regulation (90~264 VAC).....	+/-0.1%
Load Regulation (10~100%).....	+/-1% (O/P1), +/-5% (Aux. O/P)
Efficiency.....	90% @ full load
Hold Up Time.....	16 ms (230 VAC) at min load
Over Voltage Protection.....	Redundant protection for open feedback
Short Circuit Protection.....	110-130% of max. load (auto-recovery)
Ripple And Noise.....	Typically 1% of output
EMC.....	EN55022 Class B, EN61000-3-3, EN61000-4-2, 3, 4, 5, 6, 8, 11
Safety Standards.....	EN60950, IEC60950, UL/cUL60950 EN60601-1, IEC60601-1, UL/cUL60601-1
Isolation.....	4 kV Input to Output
Leakage Current.....	110 / 200uA, 115 / 230 VAC Input
Operating Temperature.....	-20 to +50 °C full load (derate linearly to 50% load @ 70 °C)
Storage Temperature.....	-20 to +85 °C
Vibration.....	2G, 5-500 Hz, across 3 axis
MTBF.....	100 khrs (convection cooled), 300khrs (forced air cooled)

Models and Ratings

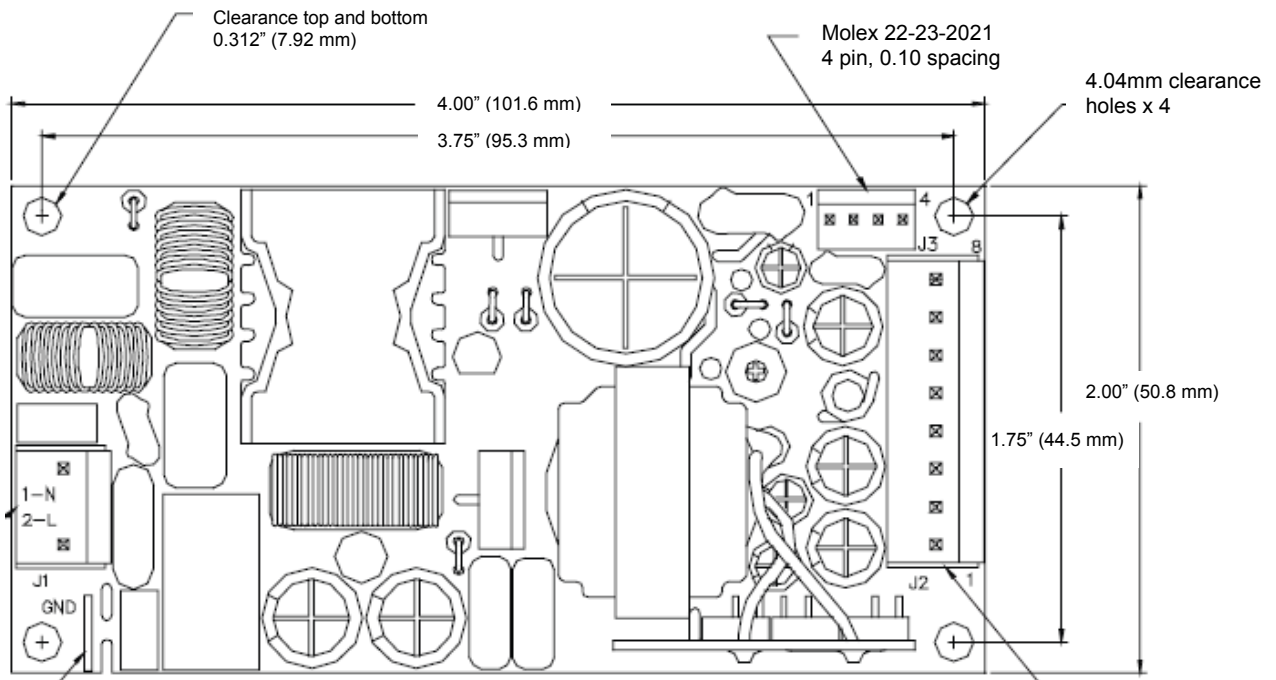
Model	Output (VDC)		Max Output Current (200 LFM of air flow)		Max Output Current Convection Cooled	
	Main	Aux	Main	Aux	Main	Aux
ECO-100-5	5 V	12 V	20 A	1 A	14 A	0.5 A
ECO-160-12	12 V	12 V	13.3 A	1 A	8.3 A	0.5 A
ECO-160-24	24 V	12 V	6.66 A	1 A	4.2 A	0.5 A
ECO-160-48	48 V	12 V	3.33 A	1 A	2.1 A	0.5 A

For mechanical details and pinout, see next page.

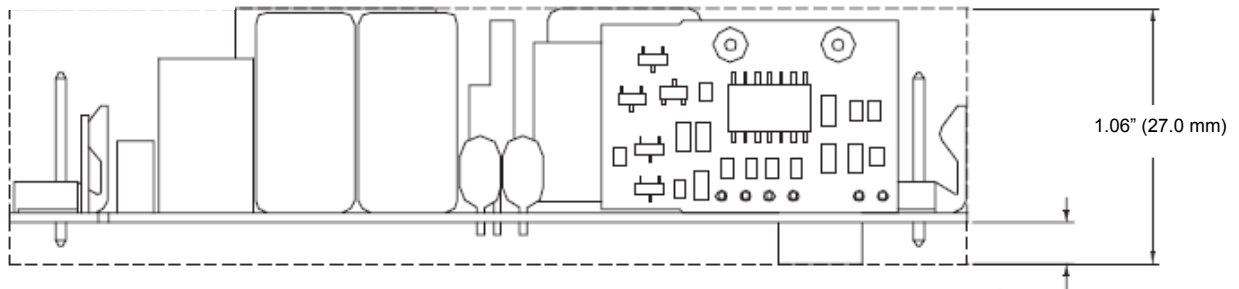
Specifications may change without notice, E&OE. ALL PSU Terms & Conditions apply.

ALL PSU Ltd, Unit D6 Laser Quay, Culpeper Close, Medway City Estate,
 Rochester, Kent, ME2 4HU, Tel : 01634 725527, Fax : 01634 739111
 Email : sales@allpsu.co.uk, Web : www.allpsu.co.uk

Mechanical Details and Pinout



AC Ground via 6.35mm
spade connector



0.17" (4.4 mm)
SMT component
height max.

Pin Number	Function		
	J1 (input)	J2 (output)	J3 (output)
1	AC Neutral	Rtn	Rtn
2	AC Live	Rtn	Rtn
3		Rtn	+12V (Fan)
4		Rtn	+12V (Fan)
5		V Out	
6		V Out	
7		V Out	
8		V Out	

Connector J1 is a Molex 26-60-4030, 3 pin (centre pin removed)
 Connector J2 is a Molex 26-60-4080, 8 pin (0.156" spacing)
 Connector J3 is a Molex 22-23-2021, 4 pin (0.10" spacing)

Specifications may change without notice, E&OE. ALL PSU Terms & Conditions apply.

ALL PSU Ltd, Unit D6 Laser Quay, Culpeper Close, Medway City Estate,
 Rochester, Kent, ME2 4HU, Tel : 01634 725527, Fax : 01634 739111
 Email : sales@allpsu.co.uk, Web : www.allpsu.co.uk