

120 Watt, SBU Series, Open Frame, (1-3 Outputs)

ALL PSU LTD
Electronic Power Solutions

- Universal Input With PFC
- 3V to 50V Single Output Models
- Single, Dual or Triple Outputs
- High Reliability 100% Full Load Burn In
- Short Circuit, Over Load, Over Voltage Protection
- Full Approvals: UL/cUL/TUV/CB/CE
- 2 Year Warranty
- Optional Power Fail Detection



Specification

Input Voltage.....	90~264 VAC, 47~63 Hz
Input Current.....	1.0 A @ 230 VAC, 1.7 A @ 115 VAC
Output Voltage.....	See table below (plus +/-5% adjustment range on O/P 1)
Over Load Protection.....	110~150% of rated current (auto-recovery)
Over Voltage Protection.....	112~132% of output voltage (crowbar)
Efficiency.....	70-88% (dependent on unit)
Line Regulation.....	0.5% typically
Load Regulation.....	+/-3% typical on single output units @ 230 VAC input
Hold Up Time.....	16 ms @ 110 VAC input
Switching Frequency.....	80 kHz typical
Leakage Current.....	0.4mA (0.75 mA max.) @ 240 VAC input and full load
Isolation Voltage.....	I/P-O/P: 3 kVAC, I/P-FG: 1.5 kVAC
Operating Temperature.....	0 °C to +70 °C (derating by 2.5% /°C above 50 °C)
Safety Standards.....	UL60950-1, TUV EN60950-1
EMC Standard.....	EN55022 Class B, EN55024, EN61000-3-2, 3 EN61000-4-2, 3, 4, 5, 6, 8, 11
MTBF.....	>100 khrs (MIL-HDBK-217F) @ 25 °C
Weight.....	Approx 0.4 kg each
Dimensions.....	127(L) x 76.2(W) x 33.6(H)

Models & Ratings (Single Output Versions)

Model	Output Voltage	Voltage Range (Factory Settable)	Output Current	Maximum Output Power
SBU120-101	3.3 V	3.0 V - 5.0V	22.0 - 20.0 A	100 W
SBU120-102	5 V	5.0 V - 6.0 V	22.0 - 18.3 A	110 W
SBU120-103	7 V	6.0 V - 9.0 V	19.1 A - 12.8 A	115 W
SBU120-104	9 V	9.0 V - 11.0 V	13.3 A - 10.9 A	120 W
SBU120-105	12 V	11.0 V - 13.0 V	10.9 A - 9.2 A	120 W
SBU120-106	15 V	13.0 V - 16.0 V	9.2 A - 7.5 A	120 W
SBU120-107	19 V	16.0 V - 21.0 V	7.5 A - 5.7 A	120 W
SBU120-108	24 V	21.0 V - 27.0 V	5.7 A - 4.4 A	120 W
SBU120-109	30 V	27.0 V - 33.0 V	4.4 A - 3.6 A	120 W
SBU120-110	36 V	33.0 V - 40.0 V	3.6 A - 3.0 A	120 W
SBU120-111	48 V	40.0 V - 50.0 V	3.0 A - 2.4 A	120 W

See next page for multi-output versions and mechanical details

Models and Ratings (Multi-Output Models) (see notes)

Model	Output 1	Min Load	Output 2	Min Load	Output 3	Min Load	Maximum Output Power
SBU120-200	3.3 V / 15 A	1.5 A	12 V / 6 A	0.6 A			120 W
SBU120-201	5 V / 15 A	1.5 A	12 V / 6 A	0.8 A			120 W
SBU120-202	5 V / 15 A	1.5 A	15 V / 6 A	0.6 A			120 W
SBU120-203	5 V / 15 A	1.5 A	24 V / 3.5 A	0.4 A			120 W
SBU120-204	3.3 V / 15 A	1.5 A	5 V / 6 A	0.8 A			79.5 W
SBU120-300	3.3 V / 15 A	1.5 A	12 V / 6 A	0.8A	-12 V / 0.8 A	0.0 A	120 W
SBU120-301	5 V / 6 A	1.5 A	12 V / 6 A	0.8 A	-5V / 0.8 A	0.0 A	120 W
SBU120-302	5 V / 15 A	1.5 A	12 V / 6 A	0.8 A	-12 V / 0.8 A	0.0 A	120 W
SBU120-303	5 V / 15 A	1.5 A	15 V / 6 A	1.0 A	-15 V / 0.8 A	0.0 A	120 W
SBU120-304	5 V / 15 A	1.5 A	24 V / 3.5 A	0.45 A	-24 V / 0.8 A	0.25A	120 W
SBU120-305	5 V / 15 A	1.5 A	24 V / 3.5 A	0.4 A	-12 V / 0.8 A	0.0 A	120 W
SBU120-306	3.3 V / 15 A	1.5 A	12 V / 6 A	0.8 A	-5 V / 0.8 A	0.0 A	120 W
SBU120-307	5 V / 15 A	1.5 A	10 V / 6 A	0.6 A	-10 V / 1.0 A	0.0 A	120 W
SBU120-308	3.3 V / 15 A	1.5 A	5 V / 6 A	0.8 A	-12 V / 1.0 A	0.0 A	91.5 W

Notes:

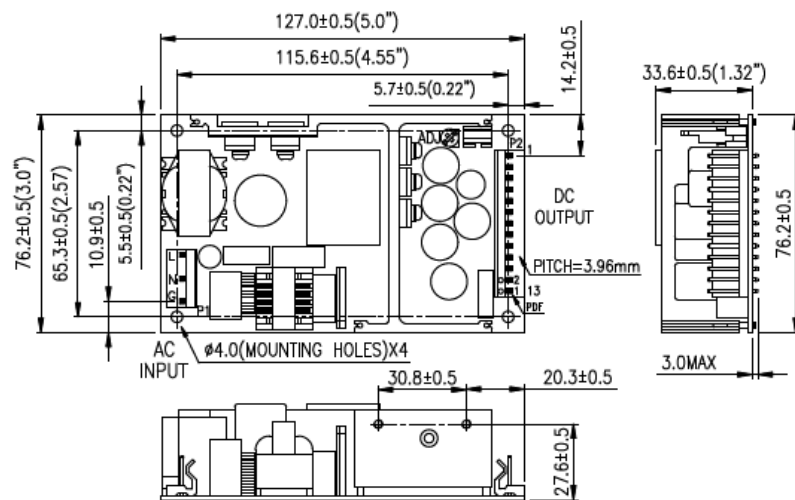
- 1) Many other output combinations are available - please contact sales office for further information
- 2) Industrial versions are available with an operating temperature down to -20 °C, contact sales office.
- 3) For optional power fail detection, add suffix "P" to part number - (standard units have no connection to Pin 13)

Output Connector Pinout and Mechanical Details

Pin	Single Output	Dual Output	Triple Output
1	V1	V2	V2
2	V1	V2	V2
3	V1	V1	V1
4	V1	V1	V1
5	V1	V1	V1
6	V1	V1	V1
7	Return	Common	Common
8	Return	Common	Common
9	Return	Common	Common
10	Return	N/C	V3
11	Return	Common	Common
12	Return	Common	Common
13	PFD ⁽³⁾	PFD ⁽³⁾	PFD ⁽³⁾

Input connector mates with Molex 09-50-3051 and 2478 series crimp terminals
Output connector mates with Molex 09-50-3131 and 2478 series crimp terminals

Mechanical Details



Specifications can change without notice, E&OE. ALL PSU Terms & Conditions Apply.