

# 100 Watt, SZA100 Series , Open Frame Power Supply



electronicpowersolutions

- Universal AC Input
- Compact Open Frame Chassis Mounting
- High Efficiency Up To 88%
- Short Circuit, Over Voltage, Over Load Protected
- Convection Cooled To 80 Watts, 100 Watts with Fan
- CE Marked
- Compact 4.05" x 2.04" Foot-Print
- <0.3 Watts No Load Input Power
- 3 Year Warranty



## Specification

Input Voltage.....	85~265 VAC, 47~63 Hz (120-370 VDC)
Inrush Current.....	40 A @ 115 VAC, 80 A @ 230 VAC
Output Voltage.....	Single Outputs, See table below for models
Load Regulation.....	+/-1% (5 to 100% Load)
Line Regulation.....	+/-1% (Full AC range)
Over Voltage Protection.....	Zener Diode Clamp
Short Circuit Protection.....	Auto Recovery
Overload Protection.....	Auto Recovery
Hold Up Time.....	10 ms, min
Ripple .....	100-150mV max (p-p) dependant on model
Noise.....	150-280mV max (p-p) dependant on Model
Input to Output Isolation.....	I/P-O/P: 3 kVAC,
Operating Temperature .....	-25 to +70 °C, see derating curve
Storage Temperature.....	-40 to +85 °C
Safety Standards.....	CE
EMC.....	EN55022 class B, EN55024
Mechanical .....	102.75 x 51.7 x 34.5 mm
Connections Input & Output.....	Screw Terminals

## Models and Ratings

Model	Output Voltage	Output Current Convection Cooled	Output Current Fan Cooled	Efficiency
<a href="#">SZA100-5S-AP</a>	5.0 V	12 A	18 A	80%
<a href="#">SZA100-12S-AP</a>	12.0 V	6.665 A	8.330 A	86%
<a href="#">SZA100-15S-AP</a>	15.0 V	5.336 A	6.67 A	86%
<a href="#">SZA100-24S-AP</a>	24.0 V	3.336 A	4.17 A	88%
<a href="#">SZA100-48S-AP</a>	48.0 V	1.667 A	2.084 A	88%

Please see next page for connections, mechanical drawings and derating.

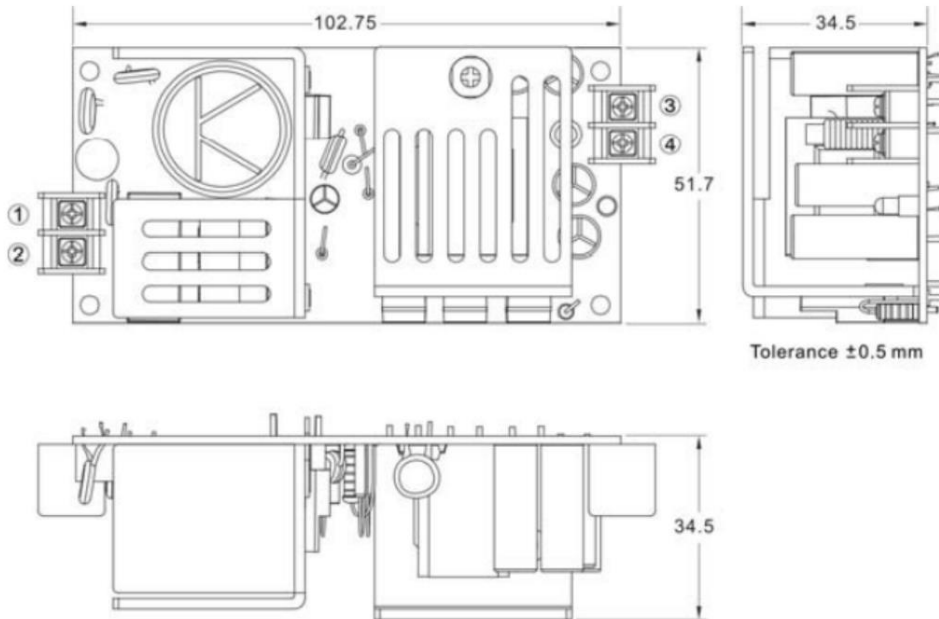
ALL PSU Ltd, Unit D6 Laser Quay, Culpeper Close, Medway City Estate,  
 Rochester, Kent, ME2 4HU, Tel : 01634 725527, Fax : 01634 739111  
 Email : [sales@allpsu.co.uk](mailto:sales@allpsu.co.uk), Web : [www.allpsu.co.uk](http://www.allpsu.co.uk)

# 100 Watt, SZA100 Series, Open Frame Power Supply



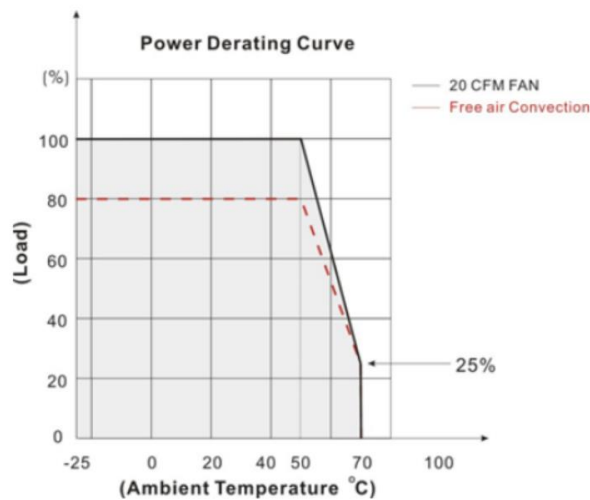
electronicpowersolutions

## Mechanical Drawings.



Connections	
Terminal	Function
1	AC Neutral
2	AC Live
3	-DC Out
4	+DC Out

## Derating



Specifications may change without notice. E&OE. ALL PSU Terms & Conditions apply.

**ALL PSU Ltd, Unit D6 Laser Quay, Culpeper Close, Medway City Estate,  
Rochester, Kent, ME2 4HU, Tel : 01634 725527, Fax : 01634 739111,  
Email : sales@allpsu.co.uk Web : www.allpsu.co.uk**