

ALL PSU DATA SHEET.

120 Watt, Encapsulated Step Down Converter SV7A

- * Low Cost High Power
- * Non Isolated Step Down Converter
- * High Reliability, MTBF>500K Hrs
- * Efficiency Up To 95%
- * Output Good LED
- * For Wall / Chassis Mounting
- * Ideal For Fixed Or Mobile Applications, Sealed & Rugged IP68 Construction.
- * Remote On/ Off



STANDARD MODELS (Other Input / Output Versions Are Available)

| | | | | |
|---------------------------|--|---------|---------|-----|
| Input Voltage Order Code | 1 | 2 | 3 | |
| Input Range | 9-18V | 18- 72V | 77-130V | |
| Output Power | Max.120W (dependent on output Voltage) | | | |
| Output Voltage Order Code | 1 | 2 | 3 | 4 |
| Output Voltage | 5V | 12V | 15V | 24V |
| Maximum Output Current | 7A | 6A | 6A | 5A |
| Accuracy | Typ.1% | | | |
| Other Input Voltages | On request | | | |
| Other Output Voltages | On request | | | |

Note : As A Step Down Converter
The DC Input Voltage Must Be At Least 3V Above The Output Voltage Required.

Specification

(after warm-up time at 25° C)

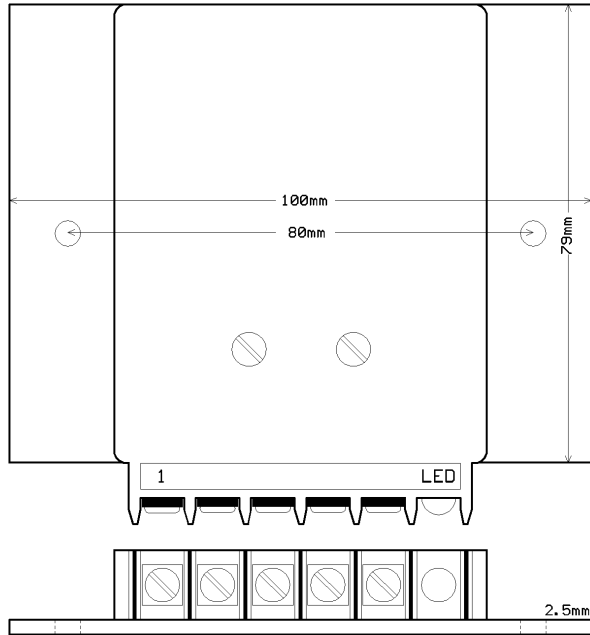
| | |
|-----------------------------------|---------------------------|
| Regulation | |
| - Load Variation 0 – 100 % static | typ. ≤ ± 0,3% (max. 0,5%) |
| dynamic | typ. ≤ ± 1,0% (max. 2,0%) |
| - Input Voltage Variation ± 25% | typ. ≤ ± 0,2% (max. 0,5%) |
| - Recovery Time To ± 1% | typ. 0,50ms (max. 1ms) |
| - Ripple And Noise | < 1% V _{Nenn} |
| - Switching Component | typ. 100 mV pp |
| - Efficiency At Full Load | |
| 24V Output | ≥ 94 % |
| 5V Output | ≥ 87 % |
| - Input Current With No Load | ca. 25mA |
| - Storage Temperature Range | -40°C...+125°C |
| - Operating Temperature Range | -40°C...+125°C |
| - Op. temp. range at full load | -40°C...+85°C |
| - Derating Above 85° | 2,5 %/°C |
| - Temperature Coefficient | < 0,05 %/°C |

ALL PSU DATA SHEET.

Cont ... 120 Watt, Encapsulated Step Down Converter, SV7A.

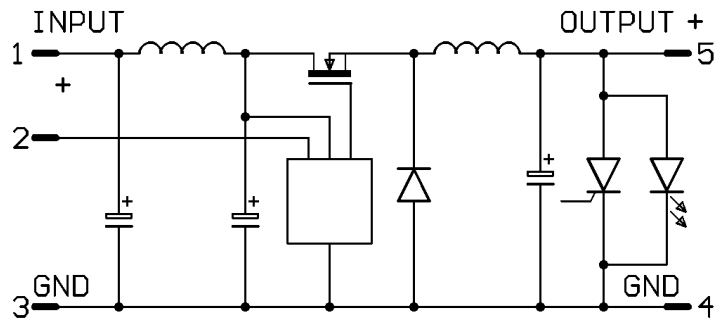
| | |
|--|--------------------------|
| - Humidity | 100 % RH |
| - MTBF(constant failure period) | > 500.000 h |
| - Switching Frequency | ca./approx. 120 kHz. |
| - Short Circuit Protection By Current limit | |
| - Calibrated At Factory At | ca. 110...120% I_{nom} |
| - Overvoltage Protection | Standard |
| - For 5V types | ca. 6,5V |
| - For 12V types | ca. 16 V |
| - For 15V types | ca. 19 V |
| - For 24V types | ca. 28 V |
| (only without OVP for battery chargers) | Special On Request. |

Mechanical Drawing



Connections : Terminal 1 = Remote On / Off
 2 = + Vin, 3 & 4 = Ground
 5 = + Vout
 Dimensions, 100 x 90 x 18mm
 Weight, 200g

Circuit Block Diagram



Terminal 1 = Remote On/Off
 Unit Will Operate If Connected To +Vin (pin2)
 Leave Open To Switch Unit Off.
 (Operation Is Designed For Use With A Vehicle Ignition Switch
 Or Similar)

Part Number Order Example
 SV7A - 2 4
 SV7A Series Type
 Input Voltage (18-72VDC)
 Output Voltage (24 V)

Other Input / Output Versions are Available, Further units In this Series Are Available With Isolated Output From 40 To 120 Watts And Non Isolated Output To 600 Watts.

Specifications May Change Without Notice, E&OE.

Futher Details Of Other Power Supplies Or Converters Can Be seen At www.allpsu.co.uk

ALL PSU Ltd, Unit D6 Laser Quay, Culpeper Close, Medway City Estate,
 Rochester, Kent, ME2 4HU, Tel : 01634 725527, Fax : 01634 739111,
 Email : sales@allpsu.co.uk, Web : www.allpsu.co.uk