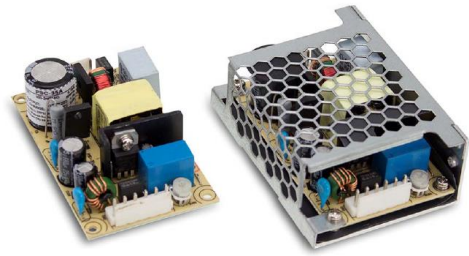


# 35 Watt, PSC-35 Series, Battery Back Up Power Supply



electronicpowersolutions

- Universal AC Input
- 3.3"x 2" Ultra Compact Size
- Battery Low Protection / Battery Reverse polarity protection by fuse
- Short Circuit, Over Voltage, Over Load Protected
- Convection Cooled To Full Power
- Alarm Signal for AC OK and Battery Low
- Full Approvals: UL/EN/CE
- Optional Covers & Connector Kits



## Specification

Input Voltage.....	90~264 VAC, 47~63 Hz (127-370 VDC)
Inrush Current.....	20 A @ 115 VAC, 40 A @ 230 VAC
Output Voltage.....	See table below, Main O/P to Load + Float Charger O/P
Output Voltage Adjustment.....	O/P 1 (12-15 Volts) or (24-29 Volts) O/P 2 Tracks O/P 1
Load Regulation.....	+/-0.5%
Line Regulation.....	+/-0.5%
Over Voltage Protection.....	PSC-35A O/P 1 : 14.49~18.63V, PSC-35B O/P 1 : 28.98~37.26V
Overload Protection.....	105~150% hiccup mode, auto recovery.
Battery Cut Off.....	PSC-35A 10.5 Volts (+/-0.5V), PSC-35B 21 Volts (+/-1V)
AC OK Alarm.....	TTL Open Collector, ON = AC OK, OFF = AC Fail
Battery Low Alarm.....	TTL Open Collector, ON = Battery Low (<11v / <22V) OFF = Battery OK
Hold Up Time.....	50 ms, min @ full load 230 VAC
Input to Output Isolation.....	I/P-O/P: 3 kVAC,
Operating Temperature .....	-30 to +70 °C, see derating curve
Storage Temperature.....	-20 to +85 °C
Safety Standards.....	UL60950-1 TUV EN60950-1, CE
EMC.....	EN55022 (CISPR22) class B, EN55024, EN61000-3-2,3, EN61000-4-2,3,4,5,6,8,11, light industrial level criteria A
MTBF.....	658.4K Hours, MIL-HDKB-217F @ 25°C
Mechanical .....	84.6 x 50.8 x 24 mm (standard open frame unit)
Connections Input & Output.....	JST Plug In Connections (connector kits available)

## Models and Ratings (Output 1 to Load, Output 2 Battery Float Charger).

Model	Output 1	Output 2	Battery Voltage
<b>PSC-35A</b>	13.8 Volts / 2.6 Amps	13.8 Volts / 0.9 Amps	12 Volts
<b>PSC-35B</b>	27.6 Volts / 1.3 Amps	27.6 Volts / 0.45 Amps	24 Volts

### Notes :

- 1) The above units can supply a maximum of 35.88 Watts total power, therefore if battery charge current drawn is lower than maximum then more power can be taken from output 1 to the load, up to 100% of total rating.
- 2) Units include auto switchover circuit to power load from battery in the event of AC mains failure.
- 3) Units include alarm signals for AC OK and Battery Low

**Please see next page for mechanical drawings and connections.**

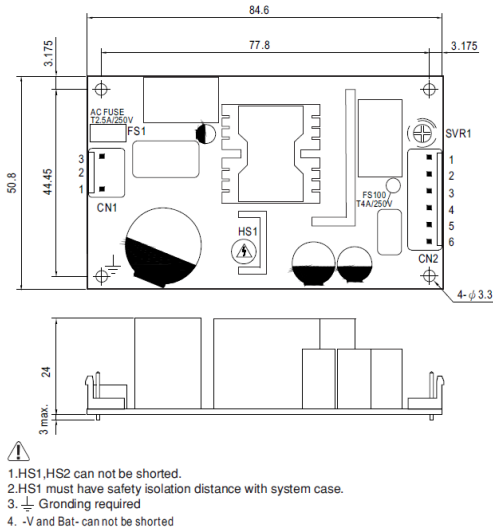
**ALL PSU Ltd, Unit D6 Laser Quay, Culpeper Close, Medway City Estate,  
Rochester, Kent, ME2 4HU, Tel : 01634 725527, Fax : 01634 739111  
Email : sales@allpsu.co.uk, Web : www.allpsu.co.uk**

# 35 Watt, PSC-35 Series, Battery Back Up Power Supply



electronicsolutions

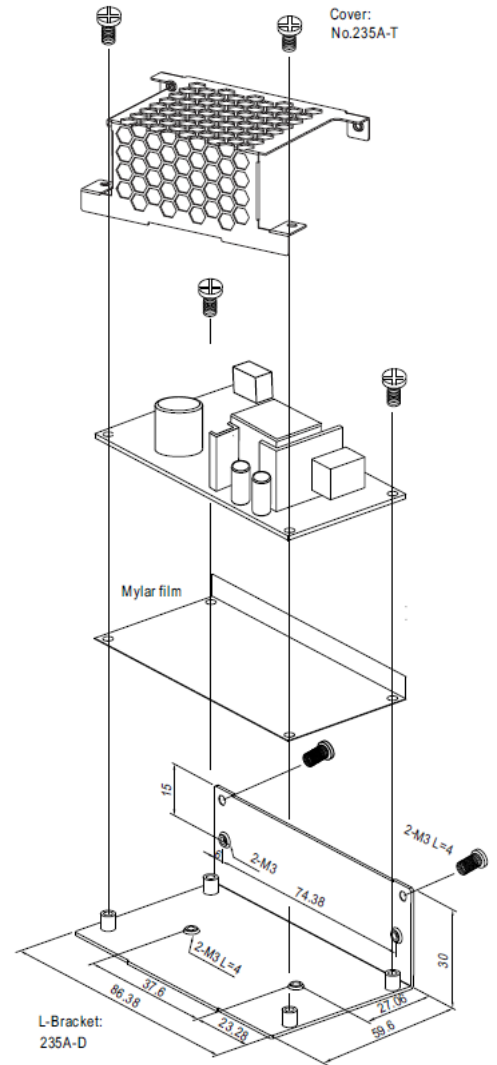
## Mechanical Drawings.



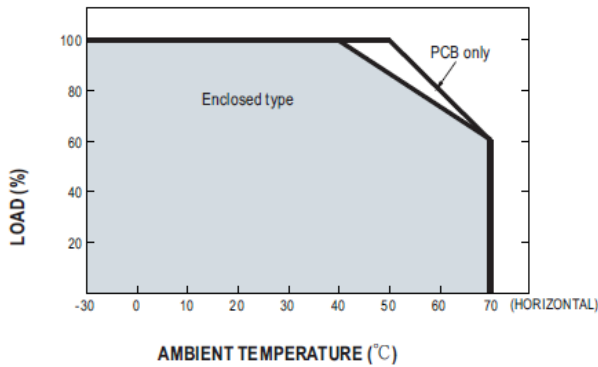
AC Input Connector (CN1) : JST B3P-VH or Equivalent			
PIN No	Assignment	Mating Housing	Terminal
1	AC Neutral	JST VHR or Equivalent	JST SVH-21T-P1.1 or Equivalent
2	No Pin		
3	AC Live		

DC Output Connector (CN2) : JST B6P-VH or Equivalent					
PIN No	Assignment	PIN No	Assignment	Mating Housing	Terminal
1	Bat. Low	4	Battery +	JST VHR or Equivalent	JST SVH-21T-P1.1 or Equivalent
2	AC OK	5	DC Output -V		
3	Battery -	6	DC Output +V		

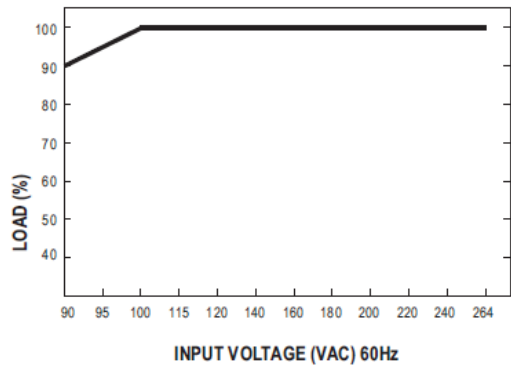
Alarm Signals	Description
AC OK	The signal is Low when AC present and turns High when AC Fails
Battery Low	The signal is Low when Battery Voltage is under 11 Volts / 22 Volts and turns High when Battery Voltage above these levels.



### Output Derating



### Output Derating VS Input Voltage



Specifications may change without notice. E&OE. ALL PSU Terms & Conditions apply.

**ALL PSU Ltd, Unit D6 Laser Quay, Culpeper Close, Medway City Estate,  
 Rochester, Kent, ME2 4HU, Tel : 01634 725527, Fax : 01634 739111,  
 Email : sales@allpsu.co.uk Web : www.allpsu.co.uk**