

20 Watt, SPU20A Series, Desktop PSU, Single Output

ALL PSU LTD
Electronic Power Solutions

- Universal Input
- 5V to 48V Output Range Across Models
- CEC & Energy Star Compliant
- 100% Full Load Burn In
- 3 Year Warranty
- Class I Insulation (Option for Class II)
- Optional Output Connectors Available
- Optional AC Inlets – C8 or C6



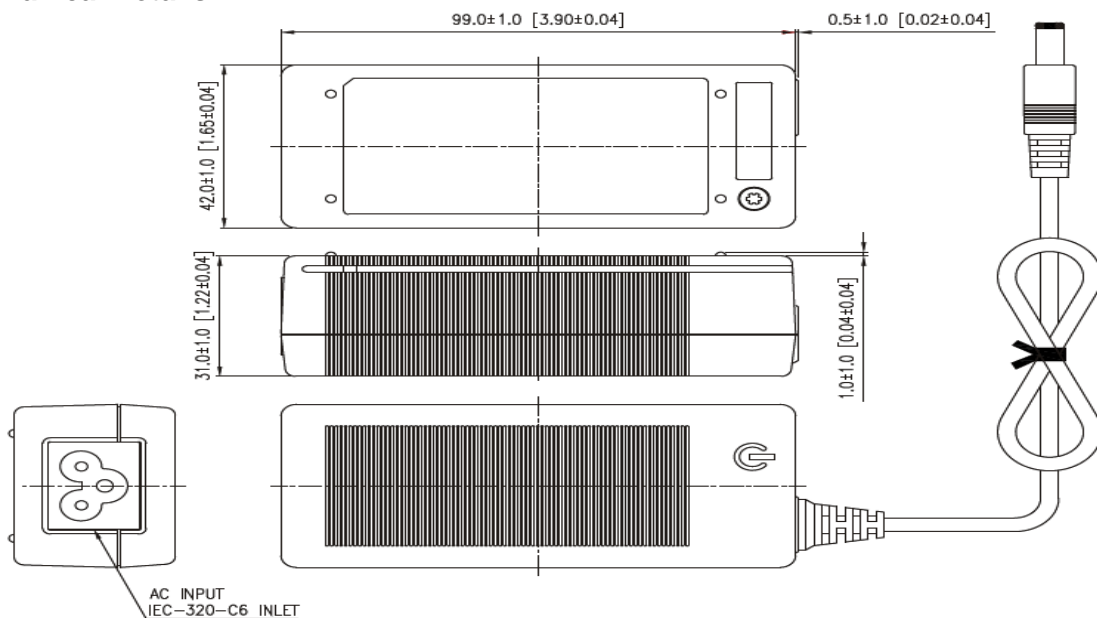
Specification

Input Voltage.....	90~264 VAC, 47~63 Hz
Input Current.....	0.25 A @ 230 VAC, 0.4 A @ 115 VAC
Output Voltage.....	See table below (factory set)
Line Regulation.....	+/-0.5% typically @ full load
Load Regulation.....	+/-3% typical @ 230 VAC input
Hold Up Time.....	14 ms typical @ 110 VAC typ
Leakage Current.....	0.5 mA typ
Isolation Voltage.....	I/P-O/P: 3 kVAC
Operating Temperature.....	0 °C to +70 °C (100% load to 40 °C, derates to 50% @ 70 °C)
Safety Standards.....	EN60950 (TUV), UL60950, CE
EMC Standard.....	Class B
Dimensions & Weight.....	99(L) x 42(W) x 31(H) mm
Output connector and cable.....	2.1 x 5.5 mm straight barrel connector (centre +ve) 1.8m cable length typ. Contact ALL PSU for alternate connectors

Models & Ratings

Model	Output Voltage	Voltage Range (Factory Settable)	Maximum Output Current	Maximum Output Power
SPU20A-102	5 VDC	5~6 VDC	3.00~2.50 A	15 W
SPU20A-105	12 VDC	11~13 VDC	1.81~1.53 A	20 W
SPU20A-106	16 VDC	13~16 VDC	1.53~1.25 A	20 W
SPU20A-108	24 VDC	21~27 VDC	0.95~0.74 A	20 W
SPU20A-109	30 VDC	27~33 VDC	0.74~0.60 A	20 W
SPU20A-111	48 VDC	40~48 VDC	0.50~0.41 A	20 W

Mechanical Details



Specifications are subject to change without notice, E&OE. ALL PSU Terms & Conditions apply.

ALL PSU Ltd, Unit D6 Laser Quay, Culpeper Close, Medway City Estate,
Rochester, Kent, ME2 4HU, Tel : 01634 725527, Fax : 01634 739111,
Email : sales@allpsu.co.uk, Web : www.allpsu.co.uk