

20 Watt, EA1020 Series, Plug Top Power Supplies

ALL PSU LTD
Electronic Power Solutions

- Universal AC input 90~264VAC
- Interchangeable AC Mains Plugs
- Low Cost
- Optional Output Connectors*
- Compact Light Weight Case
- UL, cUL, CE, TUV Approved
- 1 Year Warranty



Specification

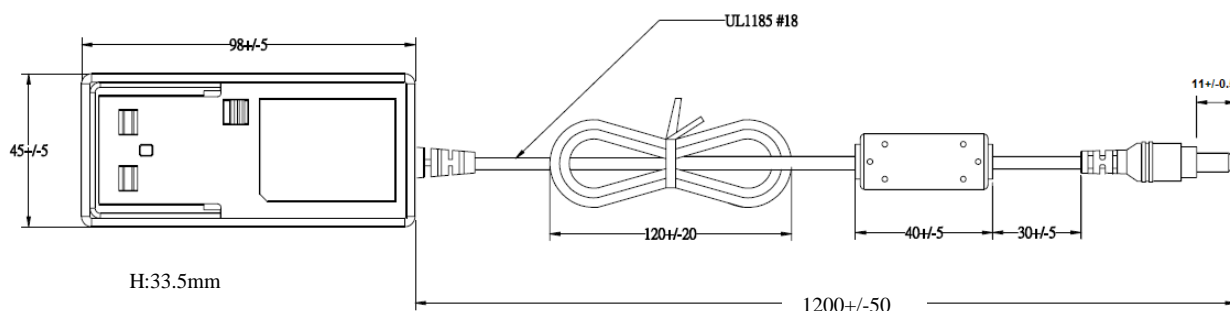
Input Voltage Range	90-264 VAC
Input Frequency Range	47-63 Hz
Efficiency.....	68-80% depending on model
Operating Temperature.....	0 ~ 40 °C
Storage Temperature.....	-20 ~ +85 °C
Output Voltage.....	See table below, fixed factory set
Minimum Output Current.....	No minimum load
Line Regulation.....	+/- 1% max.
Load Regulation.....	+/- 5% max.
Over Voltage Protection.....	Output shuts down
Short Circuit Protection.....	Output shuts down (auto-recovery)
Ripple & Noise.....	1.2% (EA1030AR), 1% (other models)
Mechanical Details and Connection.....	Body size: 98(L) x 45(W) x 33.5(H) mm
Output Lead / Connector.....	1.2m long, 2.1 x 5.5 x 11 mm, (centre +ve)
Safety Standards.....	UL60950-1, EN60950-1
Input Connectors (supplied with unit).....	UK, Euro, USA/Japanese and Australian
Output Connectors*.....	Optional output connectors subject to MOQ (contact sales office for details)
MTBF.....	30 khrs

Models and Ratings

Model	Output Voltage	Max Output Power
EA-1020PT-5	5.0 V (Option 5-8 V)	20 Watts
EA-1020PT-12	12.0 V (Option 9-12 V)	20 Watts
EA-1020PT-15	15.0 V (Option 13-20 V)	20 Watts
EA-1020PT-24	24.0 V (Option 21-35 V)	20 Watts

Output voltage is not customer adjustable. Figures in parenthesis show range of voltages available for factory presetting

Mechanical Details



Specifications are subject to change without notice, E&OE. ALL PSU Terms & Conditions apply.

**ALL PSU Ltd, Unit D6 Laser Quay, Culpeper Close, Medway City Estate,
Rochester, Kent, ME2 4HU, Tel: 01634 725527, Fax: 01634 739111
Email: sales@allpsu.co.uk, Web: www.allpsu.co.uk**