

- Universal AC input 90~264VAC
- Interchangeable AC Mains Plugs For Worldwide Use
- Low Cost
- Optional Output Connectors*
- Compact Light Weight Case
- UL, cUL, CE, TUV approved
- 1 Year Warranty



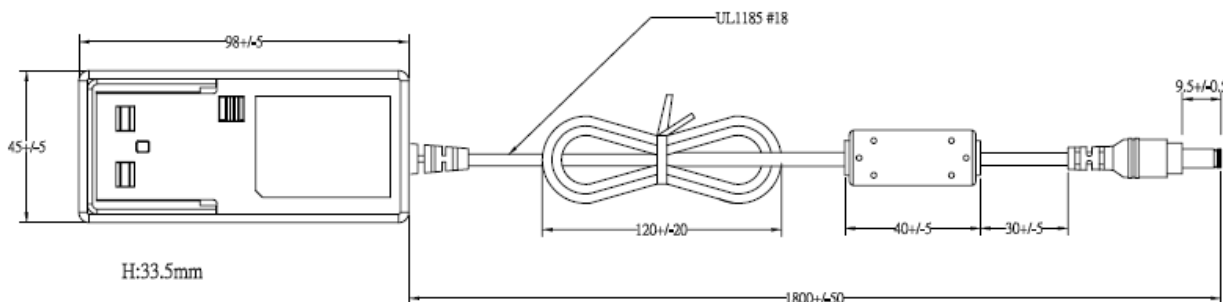
Specification

Input Voltage Range	90-264 VAC
Input Frequency Range	47-63 Hz
Efficiency.....	68-80% depending on model
Operating Temperature.....	0 ~ 40 °C
Storage Temperature.....	-20 ~ +85 °C
Output Voltage.....	See table below, fixed factory set
Minimum Output Current.....	No minimum load
Line Regulation.....	+/- 1% max.
Load Regulation.....	+/- 5% max.
Over Voltage Protection.....	Output shuts down
Short Circuit Protection.....	Output shuts down (auto-recovery)
Ripple & Noise.....	1.2% (EA1030AR), 1% (other models)
Mechanical Details and Connection.....	Body size 98(L) x 45(W) x 33.5(H) mm
Output Lead / Connector.....	1.8m long, 2.1x5.5x11 mm, centre +ve
Safety Standards.....	UL60950-1, EN60950-1
Input Connectors (supplied with unit).....	UK, Euro, USA/Japanese and Australian
Output Connectors*.....	Optional output connectors subject to MOQ (contact sales office for details)
MTBF.....	30 khrs

Models and Ratings

Model	Output Voltage	Max Output Power
EA1030AR	5 V (Option 5-8 V)	25 Watts
EA1030R	12 V (Option 9-12 V)	30 Watts
EA1030CR	15 V (Option 13-20 V)	30 Watts
EA1030DR	24V (Option 21-35 V)	30 Watts

Output voltage is not customer adjustable. Figures in parenthesis show range of voltages available for factory presetting



For full specification and mechanical drawing please contact ALL PSU sales office. Specifications are subject to change without notice, E&OE. ALL PSU Terms & Conditions Apply.

ALL PSU Ltd, Unit D6 Laser Quay, Culpeper Close, Medway City Estate,
Rochester, Kent, ME2 4HU, Tel : 01634 725527, Fax : 01634 739111
Email : sales@allpsu.co.uk, Web : www.allpsu.co.uk