

36 Watt, EA1036 Series, Plug Top Power Supplies

ALL PSU LTD
Electronic Power Solutions

- Universal AC input 90~264VAC
- Interchangeable AC Mains Plugs
- Low Cost
- Optional Output Connectors*
- Compact Light Weight Case
- UL, cUL, CE, TUV Approved
- 1 Year Warranty



Specification

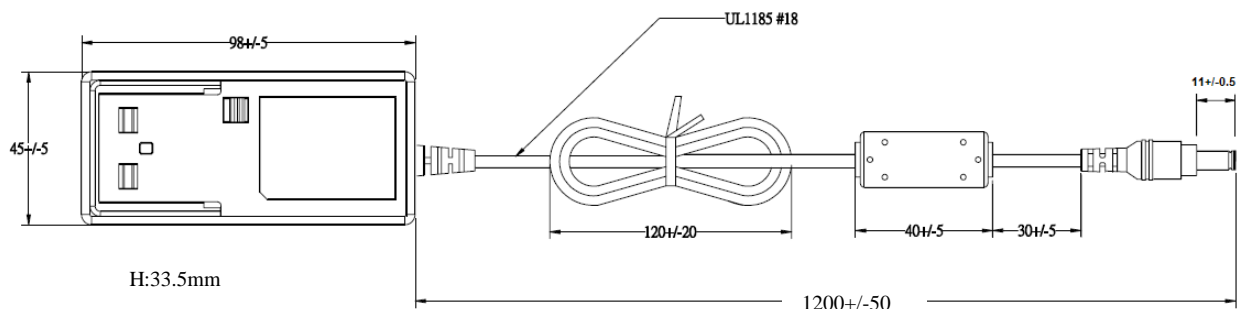
| | |
|--|---|
| Input Voltage Range | 90-264 VAC |
| Input Frequency Range | 47-63 Hz |
| Efficiency..... | 68-80% depending on model |
| Operating Temperature..... | 0 ~ 40 °C |
| Storage Temperature..... | -20 ~ +85 °C |
| Output Voltage..... | See table below, fixed factory set |
| Minimum Output Current..... | No minimum load |
| Line Regulation..... | +/- 1% max. |
| Load Regulation..... | +/- 5% max. |
| Over Voltage Protection..... | Output shuts down |
| Short Circuit Protection..... | Output shuts down (auto-recovery) |
| Ripple & Noise..... | 1.2% (EA1030AR), 1% (other models) |
| Mechanical Details and Connection..... | Body size: 98(L) x 45(W) x 33.5(H) mm |
| Output Lead / Connector..... | 1.2m long, 2.1 x 5.5 x 11 mm, (centre +ve) |
| Safety Standards..... | UL60950-1, EN60950-1 |
| Input Connectors (supplied with unit)..... | UK, Euro, USA/Japanese and Australian |
| Output Connectors*..... | Optional output connectors subject to MOQ (contact sales office for details) |
| MTBF..... | 30 khrs |

Models and Ratings

| Model | Output Voltage | Max Output Power |
|--------------|-------------------------|------------------|
| EA-1036PT-12 | 12.0 V (Option 9-12 V) | 36 Watts |
| EA-1036PT-24 | 24.0 V (Option 21-35 V) | 36 Watts |

Output voltage is not customer adjustable. Figures in parenthesis show range of voltages available for factory presetting

Mechanical Details



Specifications are subject to change without notice, E&OE. ALL PSU Terms & Conditions apply.

**ALL PSU Ltd, Unit D6 Laser Quay, Culpeper Close, Medway City Estate,
Rochester, Kent, ME2 4HU, Tel: 01634 725527, Fax: 01634 739111
Email: sales@allpsu.co.uk, Web: www.allpsu.co.uk**