



electronicpowersolutions

15 Watt, EPU15 Series, Plug Top Power Supply

- Universal AC Input (Interchangeable AC Heads)
- 5V to 48V Output Range Across Models
- Single Output
- 1 Year Warranty
- Class II Insulation
- Optional Output Connectors Available
- Energy Star 2.0, Efficiency level V



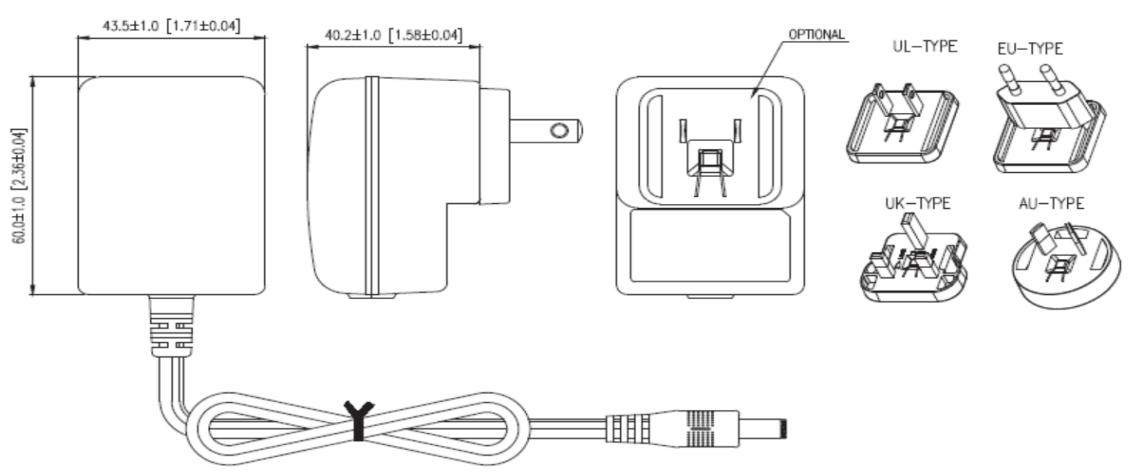
Specification

Input Voltage.....	90~264 VAC, 47~63 Hz
Input Current.....	0.2 A @ 230 VAC, 0.4 A @ 100 VAC
Output Voltage.....	See table below (factory set at any voltage specified)
Efficiency.....	74.7-85% (dependent on model / output voltage)
Line Regulation.....	0.5-1%, full load across full AC input range
Load Regulation.....	4-5%, 230 VAC input, 0 to full load
Leakage Current.....	0.25 mA max, 230 VAC Input 60Hz
Operating Temperature.....	0 °C to +70 °C (100% load to 40 °C, derate to 50% @ 70 °C)
Safety Standards.....	EN60950-1, CE, UL60950-1, 2 nd Edition
MTBF.....	>100 khrs (MIL-HDBK-217F) @ 25 °C
Dimensions & Weight.....	60(H) x 43.5(W) x 40.2(D) excluding AC Head, 165g
Output connector.....	2.1 x 5.5 mm straight barrel connector (centre +ve) Contact ALL PSU for alternate connectors

Models & Ratings

Model	Output Voltage	Output Voltage Range (Factory Settable)	Maximum Output Current	Maximum Output Power
EPU15-102	5 VDC	5~5.99 VDC	2.40~2.00 A	12 W
EPU15-103	7 VDC	6.5~8 VDC	1.85~1.50 A	12 W
EPU15-104	9 VDC	8~11 VDC	1.68~1.22 A	13.5 W
EPU15-105	12 VDC	11~13 VDC	1.36~1.15 A	15 W
EPU15-106	15 VDC	13~16 VDC	1.15~0.94 A	15 W
EPU15-107	18 VDC	16~21 VDC	0.94~0.72 A	15 W
EPU15-108	24 VDC	21~27 VDC	0.72~0.55 A	15 W
EPU15-109	30 VDC	27~33 VDC	0.55~0.45 A	16 W
EPU15-110	36 VDC	33~40 VDC	0.45~0.37 A	15 W
EPU15-111	48 VDC	40~48 VDC	0.37~0.32 A	15 W

Mechanical Details



Specifications are subject to change without notice, E&OE. ALL PSU Terms & Conditions apply.

ALL PSU Ltd, Unit D6 Laser Quay, Culpeper Close, Medway City Estate,
 Rochester, Kent, ME2 4HU, Tel : 01634 725527, Fax : 01634 739111,
 Email : sales@allpsu.co.uk, Web : www.allpsu.co.uk