

96-150 Watt, FSP Series, Desk Top, (Single Output)

ALL PSU LTD
Electronic Power Solutions

- Universal Input With PFC
- 3 Pole IEC C14 or C6 Mains Inlet
- Full Approvals UL/cUL/TUV/CE/CB
- 100% Burn In & Tested
- Protected For Over Temperature
Over Load / Over Voltage
- High Efficiency



Specification

Input Voltage.....	90~264 Volts AC
Input Frequency.....	47~63 Hz
Efficiency.....	81% ~ 88%, dependant on model
Ripple & Noise.....	≤380 mV
Output Protection.....	Over Load, Over Temperature & Over Voltage
Temperature Range.....	Operating: 0 to +40 °C Storage: -20 °C to +80 °C
Hold Up Time.....	Minimum 3 ms
Safety Standards.....	EN60950-1, UL, cUL, CE, TUV, CB, FCC, CCC Nemko
EMI Standards.....	FCC Class B, EN55022 Class B
Output Lead Length.....	1800mm – FSP-096-12 & FSP-150-24 950mm - FSP-150-12
Case Size.....	See table below
AC Mains Lead.....	Also available from ALL PSU Ltd UK, Euro, USA types (2 m long)

Model and Ratings

Model	Output Voltage	Output Current	Output Connector	AC Input Connector	Size (mm)
FSP-096-12	12.0 V	8 A	4 PIN DIN	C6	167 x 65 x 37
FSP-150-12	12.0 V	12.5 A	4 PIN DIN	C14	171 x 72 x 40
FSP-150-24	24.0 V	6.25 A	4 PIN DIN	C14	171 x 72 x 40

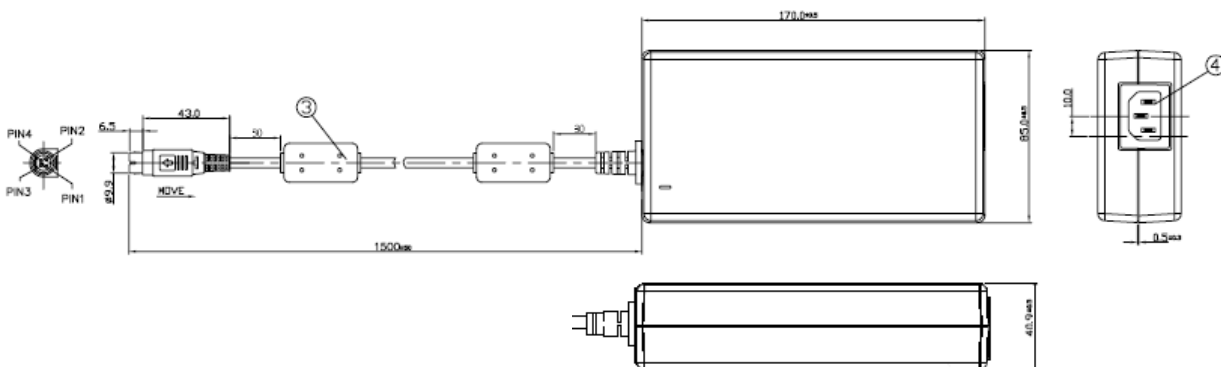
Pin Out Details As Follows :

Model FSP-096-12 : Pins 2 & 4 = +Volts, Pins 1 & 3 = Ground

Model FSP-150-12 and Model FSP-150-24 : Pins 1 & 2 = +Volts, Pins 3 & 4 = Ground

Mechanical Details

(General example model shown, please contact ALL PSU office for specific models)



Specifications are subject to change without notice, E&OE. ALL PSU Terms & Conditions apply.

**ALL PSU Ltd, Unit D6 Laser Quay, Culpeper Close, Medway City Estate,
Rochester, Kent, ME2 4HU, Tel : 01634 725527, Fax : 01634 739111
Email : sales@allpsu.co.uk, Web : www.allpsu.co.uk**