

12 Watt, GE12 Series, Interchangeable Plug Top (Single O/P)



electronicpowersolutions

- Universal AC Input
- Interchangeable AC Plugs – UK / EURO / US / AUSTRALIAN
- Full Approvals UL/CUL/TUV/CE/CB/FCC
- No Load Power Consumption <0.075
- Protected For Short Circuit / Over Load / Over Voltage
- Energy Efficiency Level VI
- Class II Power (without earth pin)
- 2 Year warranty



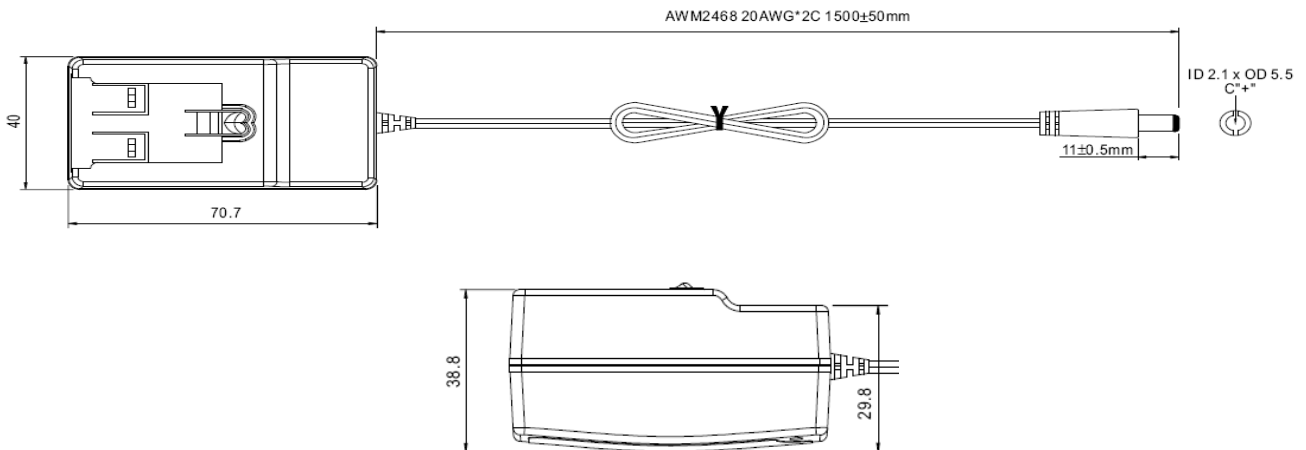
Specification

Input Voltage.....	90~264 VAC, (135~370 VDC) 47~63 Hz
Inrush Current.....	80 A typical @ 230 VAC
Output Voltage.....	See table below
Line Regulation.....	+/-1% depending on output
Load Regulation.....	+/- 3% to +/-5% depending on output
Operating Temperature.....	-10 to 50 °C, (50% load @ +50 °C)
Storage Temperature.....	-20 °C to 85 °C
Safety Standards.....	UL60950-1 TUV EN60950-1, CSA22.2, CCC GB4943
EMC Standards.....	EN55022 (CISPR22) Class B, FCC part 15, GB9254 Class B, EN61000-4-2, 3, 4, 5, 6, 11, light industrial level criteria A, EN61000-3-2,3
Output Plug	2.1mm Barrel Connector
MTBF.....	100 khrs (MIL-HDBK-217F) @ 25 °C
Dimensions.....	70.7(L) x 40(W) x 38.8(H).
Weight.....	97g each

Models and Ratings

Model	Output Voltage	Output Current	Efficiency
GE12105-P1J	5 V	2 A	70%
GE12107-P1J	7.5 V	1.33 A	72%
GE12109-P1J	9 V	1.33 A	75%
GE12112-P1J	12 V	1 A	76%
GE12115-P1J	15 V	0.8 A	76%
GE12118-P1J	18 V	0.83 A	78%
GE12124-P1J	24 V	0.625 A	80%

Mechanical Details



Specifications are subject to change without notice, E&OE. ALL PSU Terms & Conditions Apply.

**ALL PSU Ltd, Unit D6 Laser Quay, Culpeper Close, Medway City Estate,
Rochester, Kent, ME2 4HU, Tel : 01634 725527, Fax : 01634 739111
Email : sales@allpsu.co.uk, Web : www.allpsu.co.uk**