

18 Watt, GE18 Series, Interchangeable AC Plug Top (Single O/P)



electronicpowersolutions

- Universal AC Input
- Interchangeable AC Plugs – UK / EURO / US / AUSTRALIAN
- Full Approvals UL/CUL/TUV/CE/CB/FCC
- No Load Power Consumption <0.075 W
- Protected For Short Circuit / Over Load / Over Voltage
- Energy Efficiency Level VI
- Class II Power (without earth connection)
- 2 Year Warranty



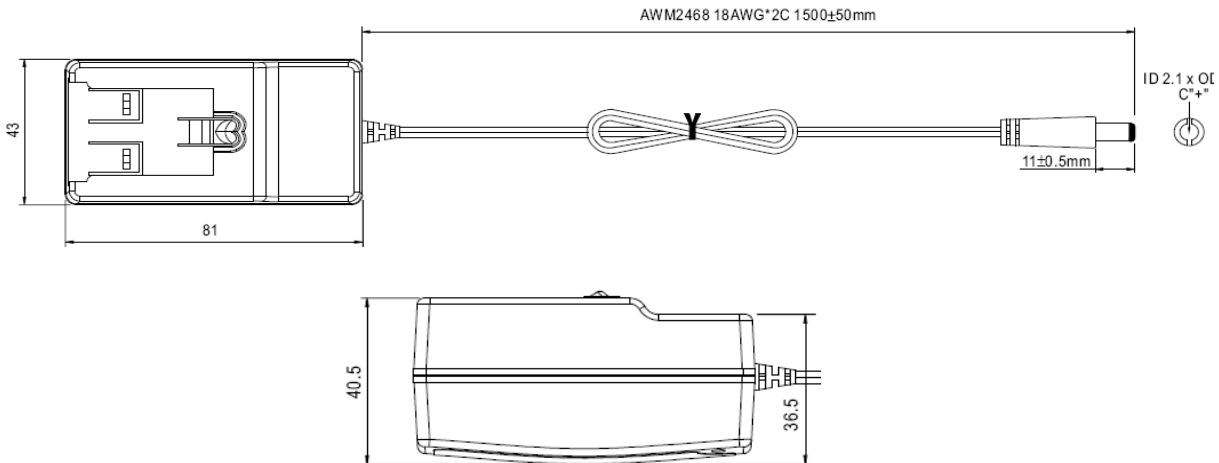
Specification

Input Voltage.....	90~264 VAC, (135~370 VDC) 47~63 Hz
Inrush Current.....	80 A typical @ 230 VAC
Output Voltage.....	See model table below
Line Regulation.....	+/-1% depending on output
Load Regulation.....	+/- 5% (V out 5~9 V), +/-3% (V out 12~48 V)
Operating Temperature.....	-10 to 50 °C, 100% load at 30°C, 50% at 50°C
Storage Temperature.....	-20 °C to 85 °C
Safety Standards.....	UL60950-1 TUV EN60950-1, CSA22.2,
EMC Standards.....	EN55022 (CISPR22) Class B, FCC part 15 Class B, EN61000-4-2, 3, 4, 5, 6, 8,11, light industrial level criteria A, EN61000-3-2,3
Output Plug	2.1mm centre bore barrel connector (plus options)
MTBF.....	100 khrs (MIL-HDBK-217F) @ 25 °C
Dimensions.....	81(L) x 43(W) x 40.5(H).
Weight.....	134g each

Models and Ratings

Model	Output Voltage	Output Current	Efficiency
GE18105-P1J	5 V	2.4 A	75%
GE18107-P1J	7.5 V	1.73 A	79%
GE18109-P1J	9 V	2.0 A	81%
GE18112-P1J	12 V	1.5 A	82%
GE18115-P1J	15 V	1.2 A	84%
GE18118-P1J	18 V	1.0 A	84%
GE18124-P1J	24 V	0.75 A	85%
GE18148-P1J	48 V	0.375 A	85%

Mechanical Details



Specifications are subject to change without notice, E&OE. ALL PSU Terms & Conditions Apply.

**ALL PSU Ltd, Unit D6 Laser Quay, Culpeper Close, Medway City Estate,
Rochester, Kent, ME2 4HU, Tel : 01634 725527, Fax : 01634 739111
Email : sales@allpsu.co.uk, Web : www.allpsu.co.uk**