

24 Watt, GE24 Series, Interchangeable AC Plug Top (Single O/P)



electronic powersolutions

- Universal AC Input
- Interchangeable AC Plugs – UK / EURO / US / AUSTRALIAN
- Full Approvals UL/CUL/TUV/CE/CB/FCC
- No Load Power Consumption <0.075 W
- Protected For Short Circuit / Over Load / Over Voltage
- Energy Efficiency Level VI
- Class II Power (without earth connection)
- 2 Year Warranty



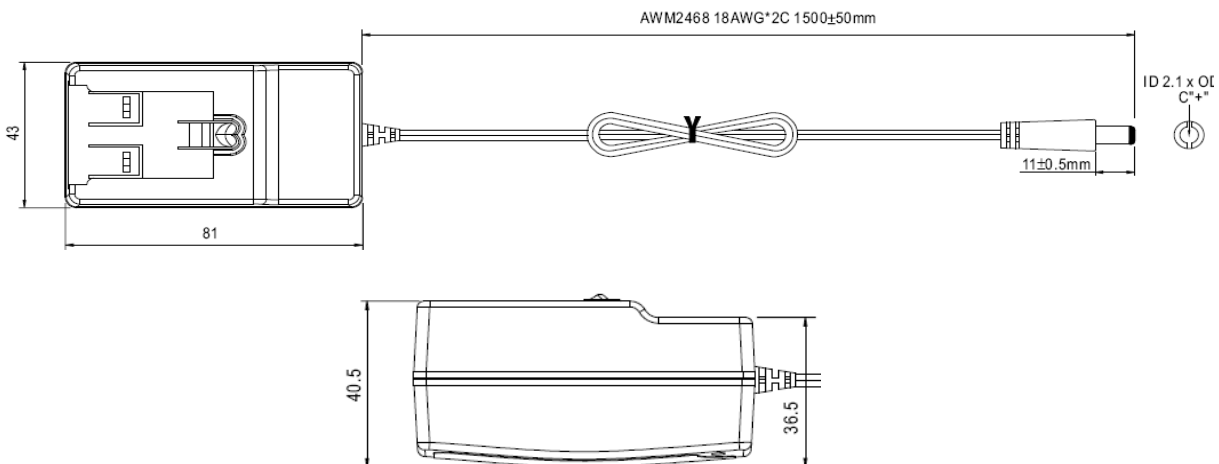
Specification

| | |
|----------------------------|---|
| Input Voltage..... | 90~264 VAC, (135~370 VDC) 47~63 Hz |
| Inrush Current..... | 80 A typical @ 230 VAC |
| Output Voltage..... | See model table below |
| Line Regulation..... | +/-1% depending on output |
| Load Regulation..... | +/- 3% to +/-5% depending on output |
| Operating Temperature..... | -10 to 50 °C, 100% load at 30°C, 50% at 50°C |
| Storage Temperature..... | -20 °C to 85 °C |
| Safety Standards..... | UL60950-1 TUV EN60950-1, CSA22.2, |
| EMC Standards..... | EN55022 (CISPR22) Class B, FCC part 15 Class B, EN61000-4-2, 3, 4, 5, 6, 8,11, light industrial level criteria A, EN61000-3-2,3 |
| Output Plug | 2.1mm centre bore barrel connector |
| MTBF..... | 100 khrs (MIL-HDBK-217F) @ 25 °C |
| Dimensions..... | 81(L) x 43(W) x 40.5(H). |
| Weight..... | 134g each |

Models and Ratings

| Model | Output Voltage | Output Current | Efficiency |
|-------------|----------------|----------------|------------|
| GE24I05-P1J | 5 V | 3 A | 72% |
| GE24I07-P1J | 7.5 V | 2 A | 75% |
| GE24I09-P1J | 9 V | 2.22 A | 75% |
| GE24I12-P1J | 12 V | 2 A | 78% |
| GE24I15-P1J | 15 V | 1.6 A | 80% |
| GE24I18-P1J | 18 V | 1.33 A | 80% |
| GE24I24-P1J | 24 V | 1 A | 81% |
| GE24I48-P1J | 48 V | 0.5 A | 81% |

Mechanical Details



Specifications are subject to change without notice, E&OE. ALL PSU Terms & Conditions Apply.

**ALL PSU Ltd, Unit D6 Laser Quay, Culpeper Close, Medway City Estate,
Rochester, Kent, ME2 4HU, Tel : 01634 725527, Fax : 01634 739111
Email : sales@allpsu.co.uk, Web : www.allpsu.co.uk**