

## 220 Watt, GS220A, Desk Top Series (Single Output)



electronic powersolutions

- Universal AC Input With PFC
- 3 Pole C14 IEC Inlet
- Full Approvals UL/CUL/TUV/CE/CB/FCC
- 4 Pin Output Connector
- Protected For Short Circuit / Over Load / Over Voltage / Over Temperature
- High Efficiency Up To 94.5%
- ErP step2 Level V Efficiency Compliant
- 2 Year warranty



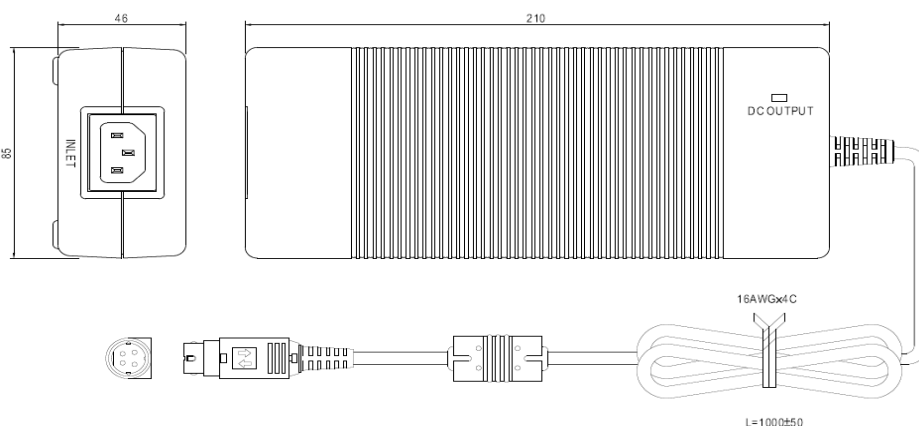
### Specification

Input Voltage.....	90~264 VAC, (127~370 VDC) 47~63 Hz
Inrush Current.....	120 A typical @ 230 VAC
Output Voltage.....	See table below
Line Regulation.....	+/-1% % max.
Load Regulation.....	+/- 5% to +/-2% depending on output
Operating Temperature, (230 VAC Input).....	-30 to 60 °C, (80% load @ +60 °C with 230 VAC)
Storage Temperature.....	-40 °C to +85 °C
Safety Standards.....	UL60950-1 TUV EN60950-1 approved BSMI CNS14336, CCC GB4943, J60950-1 (except 48 Volt)
EMI / EMC.....	EN55022 (CISPR22) Class B, FCC part 15 Class B, CNS13438 Class B, GB9254 Class B EN61000-4-2, 3, 4, 5, 6, 8, 11, light industrial level criteria A, EN61000-3-2,3 GB17625.1
Output Plug .....	Power DIN 4 Pin
MTBF.....	191.3 khrs (MIL-HDBK-217F) @ 25 °C
Dimensions.....	210(L) x 85(W) x 46(H) mm. 1000 mm O/P lead
Weight.....	1.1 kg each

### Models and Ratings

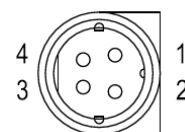
Model	Output Voltage	Output Current	Efficiency
<a href="#">GS220A12-R7B</a>	12 V	15 A	90%
<a href="#">GS220A15-R7B</a>	15 V	13.4 A	90%
<a href="#">GS220A20-R7B</a>	20 V	11 A	92%
<a href="#">GS220A24-R7B</a>	24 V	9.2 A	93.5%
<a href="#">GS220A48-R7B</a>	48 V	4.6 A	94.5%

### Mechanical Details



### Pinout Connections :

Pin No	Output
1 and 4	+ V
2 and 3	- V



Specifications are subject to change without notice, E&OE. ALL PSU Terms & Conditions Apply.

**ALL PSU Ltd, Unit D6 Laser Quay, Culpeper Close, Medway City Estate,  
Rochester, Kent, ME2 4HU, Tel : 01634 725527, Fax : 01634 739111  
Email : sales@allpsu.co.uk, Web : www.allpsu.co.uk**