

15 Watt, MPU Series, (Medically Approved, Desktop)

ALL PSU LTD
Electronic Power Solutions

- Universal Input
- 5V to 36V Output Range Across Models
- Single Output
- 100% Full Load Burn In
- Over Load, Over Voltage Protection
- Medically Approved, TUV (EN60601-1)
- 3 Year Warranty
- Class I Insulation
- Optional Output Connectors Available



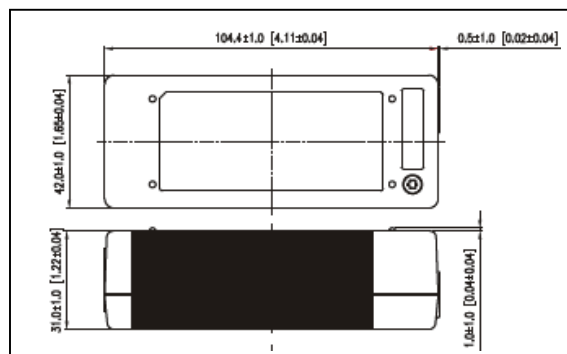
Specification

Input Voltage.....	90~264 VAC, 47~63 Hz
Input Current.....	0.17 A @ 230 VAC, 0.25 A @ 115 VAC
Output Voltage.....	See table below
Over Load Protection.....	110~150% of rated current (auto-recovery)
Over Voltage Protection.....	112~132% of output voltage
Line Regulation.....	+/-0.5% typically @ full load
Load Regulation.....	+/-3% typical @ 230 VAC input
Hold Up Time.....	10 ms minimum @ 110 VAC
Leakage Current.....	<300 μ A
Isolation Voltage.....	I/P-O/P: 4 kVAC
Operating Temperature.....	0 °C to +70 °C (100% load to 50 °C, derates to 50% @ 70 °C)
Safety Standards.....	EN60601-1 (TUV), CE, CB and Energy Star
EMC Standard.....	EN55022 Class B
Dimensions & Weight.....	104(L) x 42(W) x 31(H)
Output connector and cable.....	2.1 x 5.5 mm straight barrel connector (centre +ve) 1.8m cable length. Contact ALL PSU for alternate connectors

Models & Ratings

Model	Output Voltage	Output Current	Maximum Output Power
MPU15A-102	5 VDC	2.60 A	13 W
MPU15A-103	7 VDC	1.85 A	13 W
MPU15A-104	9 VDC	1.66 A	15 W
MPU15A-105	12 VDC	1.25 A	15 W
MPU15A-106	16 VDC	0.93 A	15 W
MPU15A-107	18 VDC	0.83 A	15 W
MPU15A-108	24 VDC	0.62 A	15 W
MPU15A-109	30 VDC	0.50 A	15 W
MPU15A-110	36 VDC	0.41 A	15 W

Mechanical Details



Specifications are subject to change without notice, E&OE. ALL PSU Terms & Conditions apply.
 ALL PSU Ltd, Unit D6 Laser Quay, Culpeper Close, Medway City Estate,
 Rochester, Kent, ME2 4HU, Tel : 01634 725527, Fax : 01634 739111,
 Email : sales@allpsu.co.uk, Web : www.allpsu.co.uk