

30-40 Watt, MDR 40 Series, Slim Line DIN Rail Power Supply

- Universal AC Input
- High Efficiency, High Reliability
- Wide Temperature Range to +70 °C
- Built In DC OK Relay Contact
- Power On LED, Output Voltage Trim
- Short Circuit, Over Load, Over Voltage, Protected
- Very Compact Size
- Full Approvals : UL/CUL/TUV/CE/CB
- 3 Year Warranty
- Very Competitive Prices / From Stock



Size: 90(H) x 40(W) x 100(D) mm

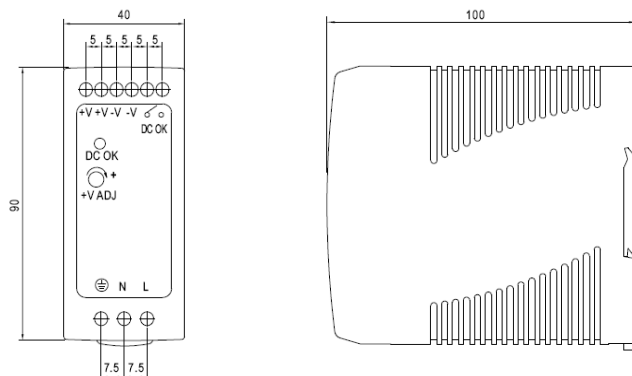
Specification

Input Voltage (Universal).....	85~264 VAC, (120~370 VDC)
Input Frequency.....	47~63 Hz
Inrush Current.....	Cold start, 30A @ 115V, 60A @ 230V
No Load Input Power.....	Less than 0.75 Watts
Output Voltage.....	See table below (plus adjustment range)
Over Load Protection.....	105~150% constant current limiting
Over Voltage Protection.....	Shuts down, re-power unit to reset
Set Up, Rise, Hold Up Time.....	500 ms, 30 ms, 50 ms @ 230 VAC full load
Isolation Voltage.....	I/P-O/P: 3 kVAC, I/P-F/G: 1.5 kVAC
Operating Temperature.....	-20~+70 °C (derates above 60 °C to 60% at +70 °C)
Safety Standards.....	UL508, TUV EN60950-1 approved
EMC Standards.....	EN55011, EN55022 (CISPR22) Class B EN61000-3-2, 3, EN55024, EN61000-6-2 EN61000-4-2,3,4,5,6,8,11, ENV50204 EN61204-3 Class B
Dimensions.....	90(H) x 40(W) x 100 (depth from rail) mm
MTBF.....	301.7 khrs (MIL-HDBK-217F) @ 25 °C

Models and Ratings

Model	Output	Range	Ripple/Noise	Efficiency
MDR-40-5	5 V / 6.0 A	5 V ~ 6 V	80 mV	78%
MDR-40-12	12 V / 3.33 A	12 V ~ 15 V	120 mV	86%
MDR-40-24	24 V / 1.7 A	24 V ~ 30 V	150 mV	88%
MDR-40-48	48 V / 0.83 A	48 V ~ 56 V	200 mV	88%

Mechanical Details



Specifications can change without notice. E&OE. ALL PSU Terms & Conditions apply.

**ALL PSU Ltd, Unit D6 Laser Quay, Culpeper Close, Medway City Estate,
Rochester, Kent, ME2 4HU, Tel : 01634 725527, Fax : 01634 739111
Email : sales@allpsu.co.uk, Web : www.allpsu.co.uk**