

## 240 Watt, SDR Series, Slim Line DIN Rail Power Supply

**ALL PSU LTD**  
Electronic Power Solutions

- Universal AC Input (124~370 VDC)
- High Efficiency 93%, High Reliability
- Wide Temperature Range -25 to +70 °C
- Built In DC OK Relay Contact
- Power On LED, Output Voltage Trim
- Over Load, Over Voltage, Overtemp. Protected
- Full Approvals: UL/cUL/TUV/CE/CB
- 3 Year Warranty
- 150% Peak Load Capability (3 seconds)



Size: 63(W) x 125.2(H) x 113.5(D) mm

### Specification

Input Voltage (Universal).....	88~264 VAC, 124~370 VDC
Input Frequency.....	47~63 Hz
Inrush Current.....	Cold start, 31A @ 115 VAC, 62A @ 230 VAC
Input Current.....	2.6 A @115 VAC, 1.3 A @ 230 VAC
Power Factor.....	>0.92 @ 230VAC, >0.99 @ 115 VAC (full load)
Load Regulation.....	+/-1.0%
Line Regulation.....	+/-0.5%
Leakage Current.....	<1 mA @ 240 VAC
Output Voltage.....	See table below
Over Load Protection.....	>150-170% constant current limiting (auto-recovery) Between 110~150%, unit will delivery power for 3 seconds (20% duty cycle) then shuts down O/P (auto-recovery)
Over Voltage Protection.....	Shuts down O/P voltage (auto-recovery)
Overtemp Protection.....	95 °C +/-5 °C output shuts down, (auto-recovery)
Set Up, Rise Time.....	1500 ms, 60 ms @ 230 VAC full load
Hold Up Time.....	20 ms @ 230 VAC (full load)
Isolation Voltage.....	I/P-O/P: 3 kVAC, I/P-F/G: 1.5 kVAC, O/P-Gnd: 0.5 kVAC
Operating Temperature.....	-25~+70 °C (see derating curve)
Safety Standards.....	UL508, TUV EN60950-1, GL
EMC Standards.....	EN55022 (CISPR22) Class B EN61000-3-2, 3. EN55024, EN61000-6-2 EN61000-4-2, 3, 4, 5, 6, 8, 11, ENV50204 EN61204-3 heavy industry level, criteria A, SEMI 47
Dimensions.....	113.5(D) x 63(W) x 125.2(H) mm
MTBF.....	169.3 khrs (MIL-HDBK-217F) @ 25 °C
Weight.....	1.03 kg

### Models and Ratings

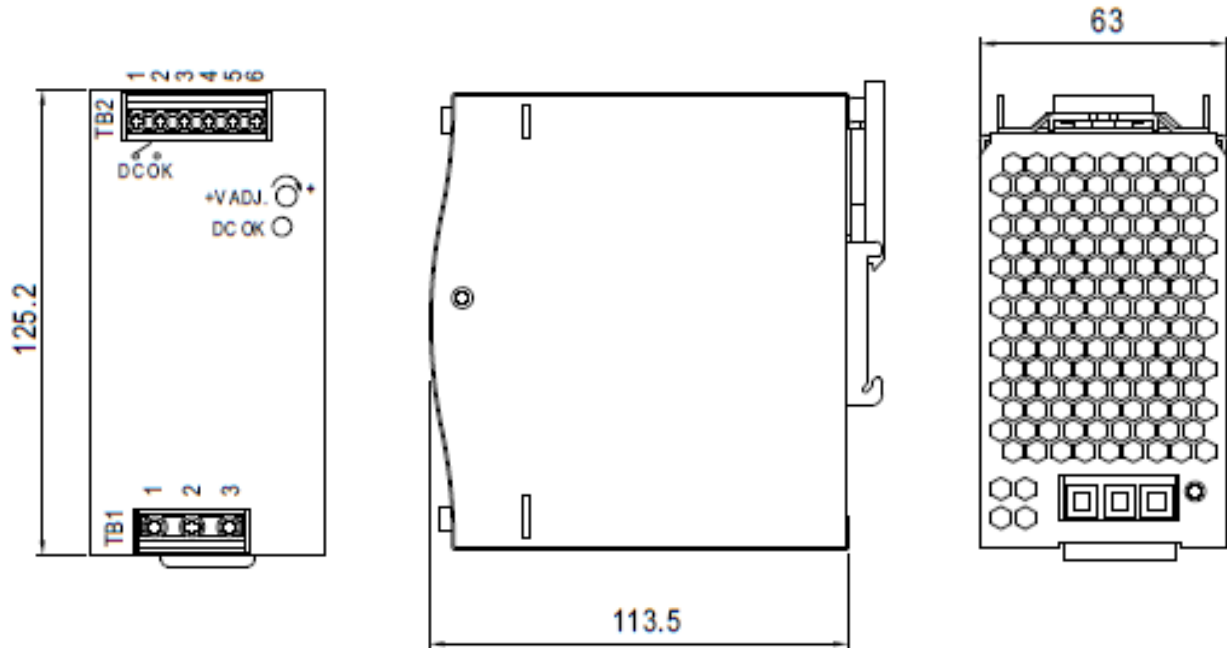
Model	Output	Adj. Range	Ripple/Noise	Efficiency
SDR-240-24	24.0 V / 10.0 A	24 V ~ 28 V	100 mV	93%
SDR-240-48	48.0 V / 5.0 A	48 V ~ 55 V	120 mV	93%

Note:

A clearance of 40mm is recommended above the unit and 20mm below (5mm either side) if the unit is to be used permanently on full load

**ALL PSU Ltd, Unit D6 Laser Quay, Culpeper Close, Medway City Estate,  
Rochester, Kent, ME2 4HU, Tel: 01634 725527, Fax: 01634 739111  
Email: sales@allpsu.co.uk Web: www.allpsu.co.uk**

## Mechanical Details



## Pinout

Input Connector (TB1)	
Pin	Function
1	Gnd.
2	AC Neutral
3	AC Live

Output Connector (TB2)	
Pin	Function
1, 2	Relay Contact
3, 4	+V Out
5, 6	-V Out

## DC OK Relay:

Contact closed when the output voltage reaches the adjusted output voltage  
 Contact opens when the output voltage drops below 90% of the output voltage  
 Contact rating is 30V/1A max. (resistive load)

## Derating Curves:

