

- Universal AC Input
- Fully Encapsulated, PCB Mounting Plastic Case, plus options of Chassis or DIN Rail Mounting with Screw Terminal connections*
- Extra Wide Temperature Range
- Short Circuit, Over Load & Over Voltage Protected
- Convection Cooled
- Full Approvals: UL/CE
- Ultra Compact Size



Specification

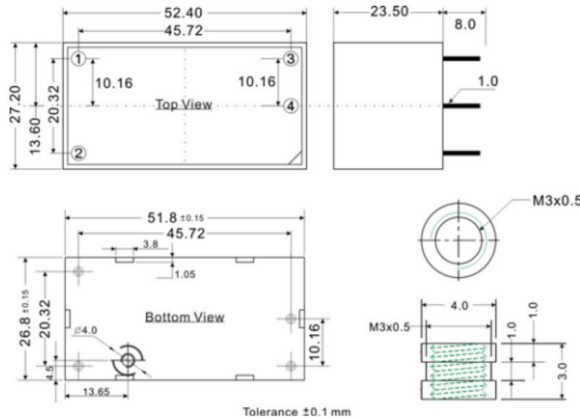
Input Voltage.....	90~264 VAC, 47~440 Hz (120-370 VDC)
Inrush Current.....	20 A @ 115 VAC, 40 A @ 230 VAC
Output Voltage.....	See table below, +/-2% preset accuracy
Load Regulation (5% to full load).....	+/-1%
Line Regulation (full range).....	+/-0.5%
Over Voltage Protection.....	Zener diode clamp
Short Circuit Protection.....	Hiccup mode, indefinite (automatic recovery)
Over Load Protection.....	Hiccup technique, auto recovery
Hold Up Time.....	12 ms minimum.
Input to Output Isolation.....	I/P-O/P: 3 kVAC,
Operating Temperature	-40 to +70 °C, see derating curve,
Storage Temperature.....	-40 to +85 °C
Switching Frequency.....	130 kHz
Safety Standards.....	UL/cUL, EN60950, CE
EMC.....	EN55022 Class B, EN55024
Mechanical, (PCB Mount Version).....	Encapsulated, 52.4 x 27.2 x 23.5 mm
Connections Input & Output.....	PCB mounting: through hole pins
Mechanical Options.....	Chassis mounting with screw terminal connections DIN Rail mounting with screw terminal connections

Models and Ratings (Single Output)

Model	Output Volts DC	Output Current	Efficiency
AFC20-3.3S-AP	3.3 V	3.6 A	74%
AFC20-5S-AP	5.0 V	3.6 A	78%
AFC20-12S-AP	12.0 V	1.66 A	83%
AFC20-15S-AP	15.0 V	1.33 A	85%
AFC20-24S-AP	24.0 V	0.833 A	86%

Please see next page for mechanical drawings.

Standard PCB Mounting Version



Pinout

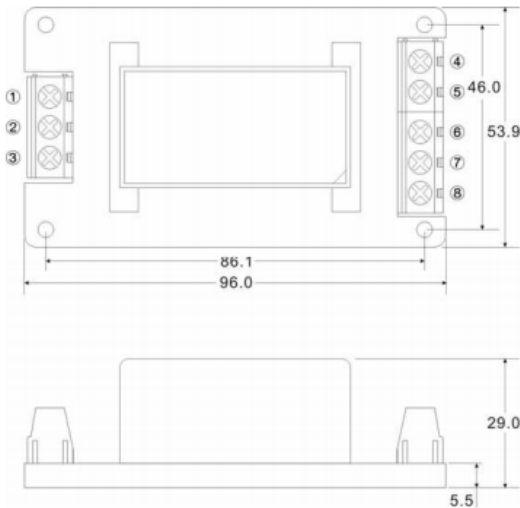
Pin	Function
1	AC Live
2	AC Neutral
3	+DC Out
4	-DC Out

On the base of the unit there is a single M3 threaded bush which is purely for additional mechanical fixing to the PCB.

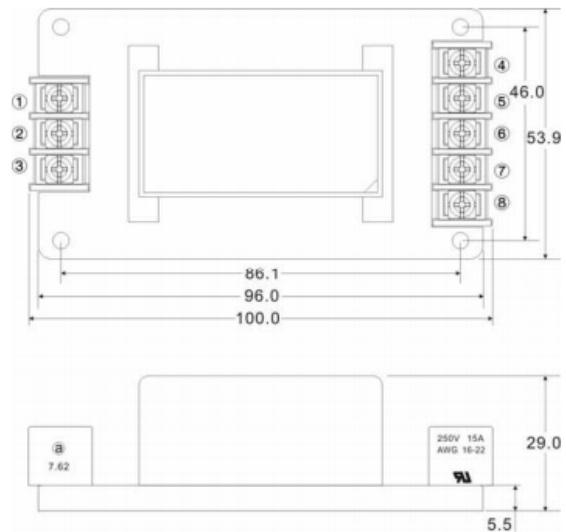
***Mechanical Options - add suffix:**

- A2 = Chassis mounting with screw terminals for stripped wires input and output
 - A5 = Chassis mounting with screw terminals for crimped terminals input and output
 - DN= DIN Rail mounting with screw terminal connections
- Please contact ALL PSU sales office for further details

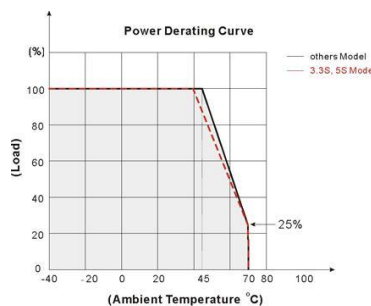
Option "A2"



Option "A5"



Derating Curve



Specifications may change without notice. E&OE. ALL PSU Terms & Conditions apply.