

8 Watt, AHC08 Series, Encapsulated Power Supply

ALL PSU LTD
Electronic Power Solutions

- Universal AC Input
- Fully Encapsulated Plastic Case, plus options of Chassis or DIN Rail mounting with screw terminal connections.
- Wide Temperature Range -40°C to +70°C
- Short Circuit, Over Voltage & Over Load Protected
- Convection Cooled
- Full Approvals: UL/CE
- Low Ripple And Noise



Specification

Input Voltage.....	90~264 VAC, 47~440 Hz (120-370 VDC)
Inrush Current.....	25 A @ 115 VAC, 45 A @ 230 VAC (<500us)
Output Voltage.....	See table below, +/-2% preset accuracy
Load Regulation (5% to full load).....	+/-1% max (output 1) +/-5% (output 2)
Line Regulation (full range).....	+/-0.2% (output 1) +/-3% (output 2)
Over Voltage Protection.....	Zener Diode Clamp
Short Circuit Protection.....	Hiccup mode, indefinite (automatic recovery)
Hold Up Time.....	10 ms, min
Input to Output Isolation.....	I/P-O/P: 3 kVAC,
Operating Temperature	-40 to +70 °C, see derating curve
Storage Temperature.....	-40 to +125 °C
Switching Frequency.....	132 kHz
Safety Standards.....	UL/cUL, EN60950, CE
EMC.....	EN55022 Class B, EN55024
Mechanical ...(PCB Mount Version).....	Encapsulated, 50 x 25.4 x 19 mm
Connections Input & Output.....	PCB mounting: through hole pins
Mechanical Options.....	Chassis mounting with screw terminal connections DIN rail mounting with screw terminal connections

Models and Ratings (Single & Dual Outputs Models)

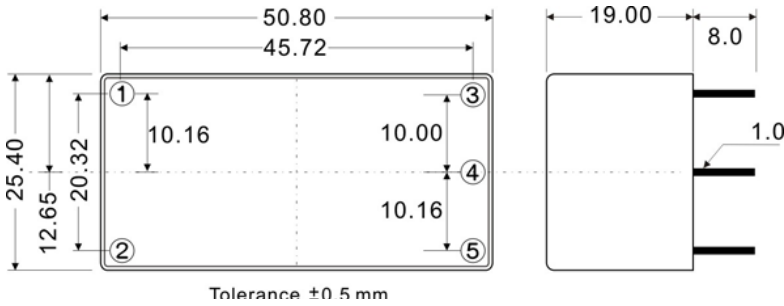
Model	Output 1	Output 2	Output Current	Efficiency
AHC08-3.3S-AP	3.3 V		2.0 A	72%
AHC08-3.8S-AP	3.8 V		2.1 A	74%
AHC08-5S-AP	5.0 V		1.6 A	75%
AHC08-8S-AP	8.0 V		1.0 A	79%
AHC08-9S-AP	9.0 V		0.888 A	79%
AHC08-12S-AP	12.0 V		0.666 A	79%
AHC08-14S-AP	14.0 V		0.571 A	80%
AHC08-15S-AP	15.0 V		0.533 A	80%
AHC08-24S-AP	24.0 V		0.333 A	81%
AHC08-5S3.3S-AP	+ 5.0 V	+ 3.3 V	1.6 A / 0.3 A	74%
AHC08-8S5S-AP	+ 8.0 V	+ 5.0 V	1.0 A / 0.15 A	77%
AHC08-12S5S-AP	+12.0 V	+ 5.0 V	0.666 A / 0.2 A	78%
AHC08-12S7.5S-AP	+12.0 V	+ 7.5 V	0.56 A / 0.25 A	78%

Please see next page for mechanical drawings.

ALL PSU Ltd, Unit D6 Laser Quay, Culpeper Close, Medway City Estate,
Rochester, Kent, ME2 4HU, Tel : 01634 725527, Fax : 01634 739111
Email : sales@allpsu.co.uk, Web : www.allpsu.co.uk

8 Watt, AHC08 Series, Encapsulated Power Supply

Mechanical Dimensions (top view)



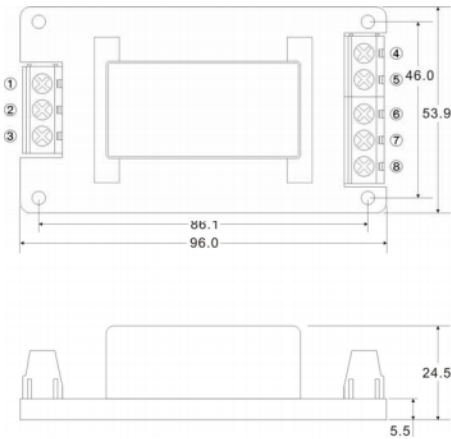
Pinout Details

Pin	Single o/p	Dual o/p
1	AC Neutral	AC Neutral
2	AC Live	AC Live
3	+ DC Out	Voltage 1
4	-DC Out	-DC Out
5	No Pin	Voltage 2

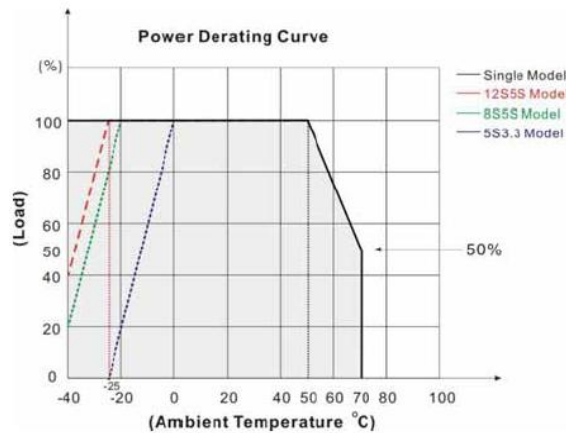
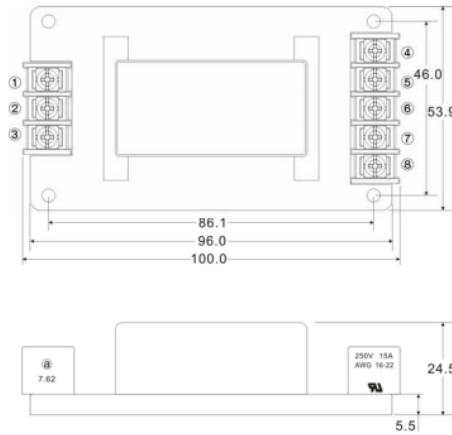
Mechanical Options – add suffix:

- A2 = Chassis mounting with screw terminals for stripped wires
- A5 = Chassis mounting with screw terminals for crimped terminals
- DN = DIN Rail mounting with screw terminal connections

Option “A2”



Option “A5”



Specifications may change without notice. E&OE. ALL PSU Terms & Conditions apply.