

## 40 Watt, SU40 Series, DC-DC Converter, (Single, Dual & Triple Output)

**ALL PSU LTD**  
Electronic Power Solutions

- Wide 2:1 Input Ranges
- Built In EMI Filter
- Isolated Output 1600 Volts
- Low Profile Encapsulated 2 x 2" Case
- Remote on/off Control
- Output Trim (Single & Dual Output Units)
- Short Circuit Protection
- High Efficiency
- 2 Year Warranty



Size 50.8 x 50.8 x 11.4 mm

### Specification

Input Range.....	2 :1 wide input, 9~18, 18~36 or 36~75 Volts DC
Output.....	Single, Dual & Triple, see table below (+/-10% trim)
Line Regulation.....	+/-0.5% Single & Dual Outputs, Triple +/-1% o/p1, +/-5% o/p 2&3
Load Regulation.....	Single O/P: +/-1%, Dual +/-2%, Triple +/-3% / +/-5%
Efficiency.....	76% to 87% dependent on model (see models table)
Short Circuit Protection.....	Hiccup mode, auto-recovery
I/P~O/P Isolation Voltage.....	1600 VDC, all models
Operating Temperature.....	-25~+70 °C, see derating curve
Cooling.....	Free air convection
Storage Temperature.....	-55 ~ +105 °C
Case Material.....	Nickel coated Copper, non conductive base, 6 sided shield
MTBF.....	>550 khrs (MIL-HDBK-217F) @ 25 °C
Weight.....	70 g

### Models and Ratings (Single & Dual Outputs, please see below for Triple Outputs)

Model	Input VDC	Output 1	Output 2	Efficiency
SU40-12-5S	9~18	5 V / 8.0 A		85%
SU40-12-12S	9~18	12 V / 3.33 A		85%
SU40-12-15S	9~18	15 V / 2.66 A		85%
SU40-12-24S	9~18	24 V / 1.66 A		85%
SU40-24-5S	18~36	5 V / 8.0 A		87%
SU40-24-12S	18~36	12 V / 3.33 A		86%
SU40-24-15S	18~36	15 V / 2.66 A		86%
SU40-24-24S	18~36	24 V / 1.66 A		86%
SU40-48-1.8S	36~75	1.8 V / 8.0 A		76%
SU40-48-2.5S	36~75	2.5 V / 8.0 A		82%
SU40-48-3.3S	36~75	3.3 V / 8.0 A		84%
SU40-48-5S	36~75	5.0 V / 8.0 A		88%
SU40-48-12S	36~75	12.0 V / 3.33 A		87%
SU40-48-15S	36~75	15.0 V / 2.66 A		87%
SU40-48-24S	36~75	24.0 V / 1.66 A		87%
SU40-12-5D	9~18	+5.0 V / 3.5 A	-5.0 V / 3.5 A	82%
SU40-12-12D	9~18	+12.0 V / 1.66 A	-12.0 V / 1.66 A	85%
SU40-12-15D	9~18	+15.0 V / 1.32 A	-15.0 V / 1.32 A	85%
SU40-24-5D	18~36	+5.0 V / 3.5 A	-5.0 V / 3.5 A	83%
SU40-24-12D	18~36	+12.0 V / 1.66 A	-12.0 V / 1.66 A	86%
SU40-24-15D	18~36	+15 V / 1.32 A	-15.0 V / 1.32 A	86%
SU40-48-5D	36~75	+5.0 V / 3.5 A	-5.0 V / 3.5 A	84%
SU40-48-12D	36~75	+12.0 V / 1.66 A	-12.0 V / 1.66 A	87%
SU40-48-15D	36~75	+15.0 V / 1.32 A	-15.0 V / 1.32 A	87%

Please See Next Page For Triple Output Models, Mechanical Drawing & Pin Out

ALL PSU Ltd, Unit D6 Laser Quay, Culpeper Close, Medway City Estate,  
Rochester, Kent, ME2 4HU, Tel : 01634 725527, Fax : 01634 739111  
Email : sales@allpsu.co.uk, Web : www.allpsu.co.uk

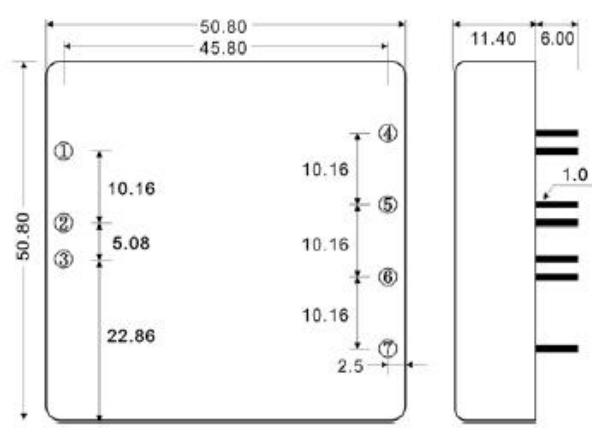
# 40 Watt, SU40 Series, DC-DC Converter, (Single, Dual & Triple Output)



## Triple Output Models.

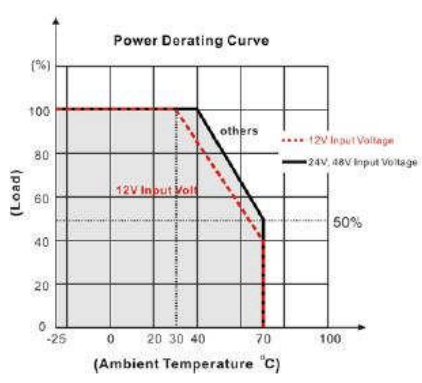
Model	Input VDC	Output 1	Output 2 & 3	Efficiency
SU40-12-5S12D	9~18	+5.0 V / 5.0 A	+/-12 V / +/-600mA	85%
SU40-12-5S15D	9~18	+5.0 V / 5.0 A	+/-15 V / +/-500mA	85%
SU40-24-5S12D	18~36	+5.0 V / 5.0 A	+/-12 V / +/-600mA	86%
SU40-24-5S15D	18~36	+5.0 V / 5.0 A	+/-15 V / +/-500mA	86%
SU40-48-5S12D	36~75	+5.0 V / 5.0 A	+/-12 V / +/-600mA	87%
SU40-48-5S15D	36~75	+5.0 V / 5.0 A	+/-15 V / +/-500mA	87%

## Mechanical Drawing and Pin-Out (Top View)

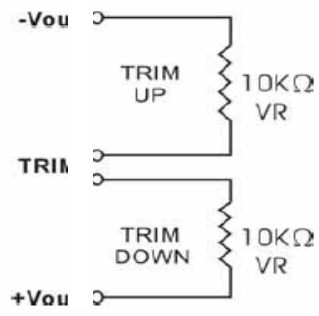


Pin	Single Output	Dual Output	Triple Output
1	Remote On/Off	Remote On/Off	Remote On/Off
2	- V in	- V in	- V in
3	+V in	+ V in	+V in
4	Trim	Trim	- V Out
5	-DC Out	- V Out	Common
6	+DC Out	Common	+ 5 V Out
7	No Pin	+ V Out	+ V Out

## Output Power Derating



## Output Trim



### Notes:

Positive logic remote on/off turns the module on during a logic high voltage on the remote on/off pin and off during a logic low.  
 To turn the power module on and off, the user must supply a switch to control the voltage between the on/off pin and the -V in pin

Specifications may change without notice, E&OE. ALL PSU Terms & Conditions apply.

**ALL PSU Ltd, Unit D6 Laser Quay, Culpeper Close, Medway City Estate,  
 Rochester, Kent, ME2 4HU, Tel : 01634 725527, Fax : 01634 739111  
 Email : sales@allpsu.co.uk Web : www.allpsu.co.uk**