

ALL PSU DATA SHEET.

3-4 Watt Encapsulated DC/DC-converter, SH3W3 Series. Triple Output

Page 1 of 2

- Output Power 4Watts max.
- PCB Mount Direct Soldering
- Input To Output Galvanically Isolated
- Filtering At Input
- Overload & Overtemperature Protected
- Copper Case
- For High Ambient Temperatures
Up To 125°C And Long Life
- Wide Input Range
- Linear Regulated Outputs

Standard Models, (Alternative Input Or Output Versions May Be Available).

Input Voltage Range (From Nominal)	+/- 25 %		
Input Voltage Order Code	2	4	5
Nominal Input Voltage DC	12V	24V	48V
Input To Output	Isolated		
Output Power Rating	Max. 4 Watts		
Output Voltage Order Code	2	3	
Output Voltage	+5V, +/-12V		+5V, +/-15V
Output Current	250mA, 2x100mA		250mA, 2x70mA
Voltage Accuracy	Typ. +/- 3%		

Specification

(after warm-up-time at 25°C)

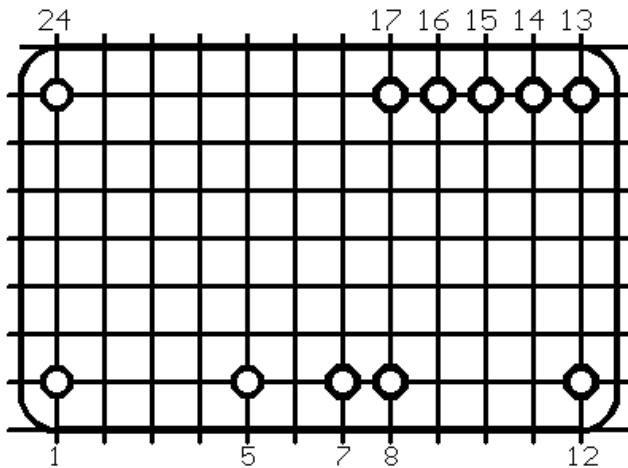
- Input Voltage Range @ Full Load	12 VDC (9V-18V) 24 VDC (18V-36V) 48 VDC (36V-60V)
- Output Voltage Accuracy @ 50% Load	typ. 3% (max.5%)
- Regulation Output 1	
- Load Variation 5mA-100% static	typ. 0.5% (max 2.0%)
- Input Voltage Variation	typ. 0.1% (max 0.5%)
- Recovery Time	50 µs (max. 100µs)
- Regulation Outputs 2 & 3	
- Load Variation 5mA-100%	typ. 100mV (max 300mV)
- Recovery Time	typ. 20µs (max 50µs)
- Efficiency @ Full Load Nominal I/P Input 24 / 12V	typ. 71%
- Reflected Output Ripple	1% pp.max.
- Input Ripple	1% pp max.
- Storage Temperature Range	-40°C...+125°C
- Operating Temperature	-40°C...+125°C
- Derating Above 85°C	2.5% / °C
- Temperature Coefficient	0.01 % / °C
- Humidity	100 % RH
- Isolation Input / Output	1000 VDC / 1 min.
- Isolation Capacitance Input / Output	typ.50 pF *
- Isolation Resistor	1G Ohm
* with anti-interference capacitor	ca. 1nF
- Thermal Limit	ca./approx. 125 °C

ALL PSU DATA SHEET.

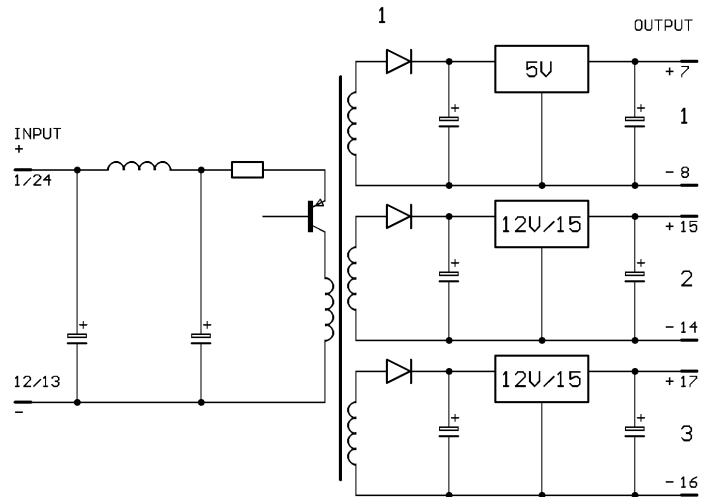
3-4 Watt Encapsulated DC-DC Converter, SH3W3 Series. Triple Output.

Page 2 of 2

Pin-out (Top View)



Circuit Block Diagram



Example Part Number.

SH3W3 - 4 - 2

Input 24 Volts (18-36 Volts)

Output 5 Volts, +/-12 Volts

Dimensions

32 x 20 x 10.5mm

Pin Diameter approx 0.8mm

Weight approx 20g

Pin 5 Is Optional Earthing Pin.

Notes :

Other Input / Output Voltages Or Special Modules May Be Available On Request.

Higher Output Currents Versions Are Available.

Higher Break Down Voltage (Input / Output) On Request..

The Units Are Available With Earth-Pin On Request.

Specifications May Change Without Notice. E&OE.

*Other DC-DC Converters From 0.5 To 600 Watts Are Available
A Full Range Of Power Supplies And Converters
Can Be Seen At www.allpsu.co.uk*

Should You Require Any Further Information On This Series
Or To Discuss Your Own Application Requirements
Please Contact The ALL PSU Sales Office.

ALL PSU Ltd, Unit D6 Laser Quay, Culpeper Close, Medway City Estate,
Rochester, Kent, ME2 4HU, Tel : 01634 725527, Fax : 01634 739111,
Email : sales@allpsu.co.uk Web : www.allpsu.co.uk