

ALL PSU DATA SHEET.

3 Watt High Voltage Output Encapsulated DC/DC-Converter HV3W1

MINIATURE 24 Pin Dual-in-Line Package, 32 x 20 x 10.5mm

- Output Power 3W max.
- Direct Soldering PCB Mounting
- Input / Output Galvanically Isolated
- Filtering At Input
- Overload Protected
- Miniature Plastic Case
- High Ambient Temperatures
To 125°C / Long Life
- Wide Input Range

Other High Voltage Converters Are Available In This Series at 10,15 And 20 Watts With Customer Specified High Voltage DC Outputs.

Standard Models (Other Input Or Output Voltages May Be Available)

| | | | |
|--|--|-----|-----|
| Input Range | + / - 25 % | | |
| Input Voltage Order Code | 2 | 4 | 5 |
| Nominal Input Voltage DC | 12V | 24V | 48V |
| Input To Output | Isolated | | |
| Output Power Rating | Max. 3 W | | |
| Output Order Code (example on next page) | Customer Specified | | |
| Output Voltage Customer Specified | Any Fixed DC Voltage Up To 800V max Or Dual Outputs To +/-400 VDC | | |

Specification

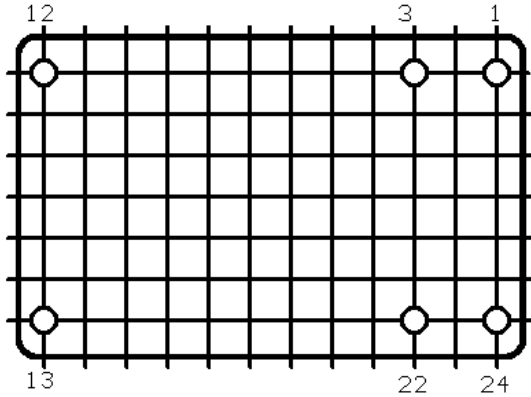
(after warm-up-time at 25°C)

| | |
|---|--|
| - Input Voltage Range @ Full Load | 12 VDC (9V-18V) 24 VDC (18V-36V) 48 VDC (36V-60V) |
| - Output Voltage Accuracy @ 50% Load | typ. 3% |
| - Regulation | |
| - Load Variation 10-100% static | typ. 2%(max.5%) |
| - Input Voltage Variation | typ. 1%(max.3 %) |
| - Recovery Time | 50 µs (max. 100µs) |
| - Efficiency @ Full Load & Nominal 24 VInput24, 500V O/P | typ. 69% |
| - Reflected Output Ripple | 2% pp.max. |
| - Input Ripple | 1% pp max. |
| - Storage Temperature Range | -40°C...+125°C |
| - Operating Temperature | -40°C...+125°C |
| - Derating Above 85°C | 2,5% / °C |
| - Temperature Coefficient | 0,02 %°C |
| - Humidity | 100 % RH |
| - Isolation Input / Output | 2000 VDC / 1 min. |
| - Isolation Capacity Input / Output | typ.50 pF * |
| - Isolation Resistor | 1G Ohm |
| * with anti-interference capacitor | ca. 1nF |

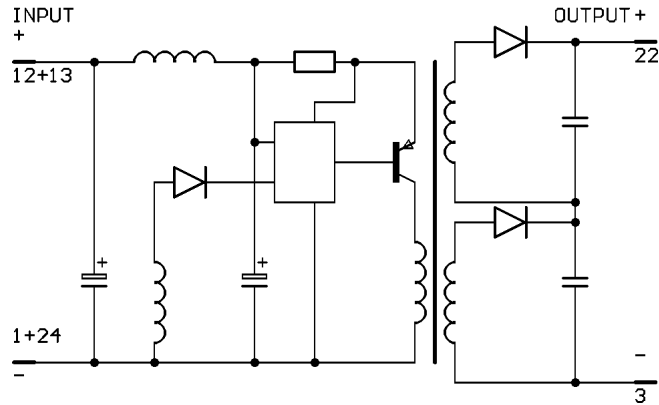
ALL PSU Ltd, Unit D6 Laser Quay, Culpeper Close, Medway City Estate,
Rochester, Kent, ME2 4HU, Tel : 01634 725527, Fax : 01634 739111,
Email : sales@allpsu.co.uk, Web : www.allpsu.co.uk

**Cont.... 3 Watt High Voltage Output,
Encapsulated DC-DC Converter, Series HV3W1**

Pin-out (Top View)



Schematic / Block Diagram



Dimensions :

32 x 20 x 10.5mm
Weight : 20g
Pin Diameter Approximately 0.5mm

Part Number Example For Ordering

HV3W1 - 4 - 500
= Input 24 Volts DC (18~36)
= Output 500 Volts DC

Notes :

Other input/output voltages or special modules on request.
Higher output currents on request.
Higher break down voltage (input/output) on request..
The units are available with earth-pin on request.
Subject to technical changes. E&OE.
Additional External Filtering Can Be Added For Very Low Noise Applications.

Specifications May Change Without Notice, E&OE.

*Further DC-DC Converters Are Available From 1/4 Watt to 600 Watts
Including High Voltage Modules To 20 Watts And 8000 Volts.*

*For More Details Please Contact The ALL PSU Sales Office.
Or Visit www.allpsu.co.uk*

ALL PSU Ltd, Unit D6 Laser Quay, Culpeper Close, Medway City Estate,
Rochester, Kent, ME2 4HU, Tel : 01634 725527, Fax : 01634 739111
Email : sales@allpsu.co.uk, Web : www.allpsu.co.uk