

ALL PSU DATA SHEET.

10 Watt Encapsulated DC/DC-converter SI10W1 Series.

Page 1 of 2.

- Small Case Size Of 32 x 20 x 10.5mm
- Output Power 10W max.
- Input / Output Galvanically Isolated Miniature 24 Pin Dual-In-Line Case
- π -Filtering At Input
- Overload Protected
- Copper Case
- For High Ambient Temperatures
(125°C) With Long Life
- Wide Input Ranges, Versions from 9 to 130 Volts DC.

Standard Models, (Other Input & Output Voltages may be available).

Input Voltage Order Code	2	4	5	7
Nominal Input Voltage DC, +/-25%	12V	24V	48V	110V
Input To Output	Isolated			
Output Power Rating	Max. 10 W			
Output Voltage Order Code	1	2	3	4
Output Voltage	5V	12V	15V	24V
Output Current	1.5A	0.83A	0.7A	0.42A
Accuracy	Typ.1 %			

Note :

For 12V input voltage versions, max. 7.5W output power

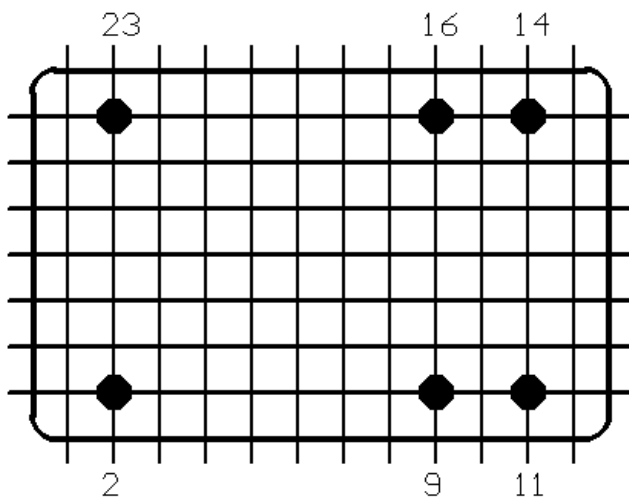
Option Available For Output Adjustment +/-5%, See Notes On Page 2.

Specification

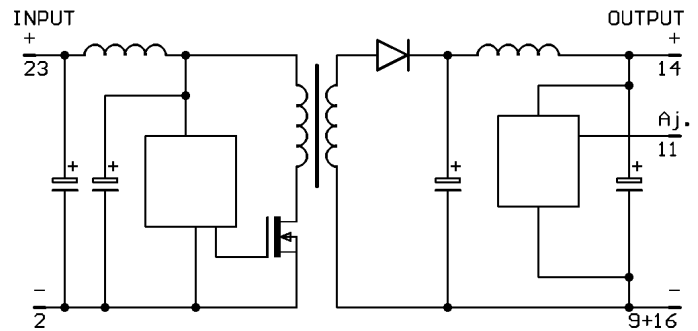
(after warm-up-time at 25°C)

- Input Voltage Range	12 VDC (9V-18V) 24 VDC (18V-36V) 48 VDC (36V-60V) 110VDC(83V-130V)
- Output Voltage Accuracy @ 50% Load	typ. 1%
- Regulation	
- Load Variation 10-90% static	typ. 1.0% (max 2.0%)
- Input Voltage Variation	typ. 0.5% (max 1.0 %)
- Recovery Time	100 μ s (max. 500 μ s)
- Efficiency @ Full Load & Nominal Input 24 V / Output 24 V	typ. 85%
- Output Ripple	1% pp.max.
- Input Ripple	1% pp max.
- Storage Temperature Range	-40°C...+125°C
- Operating Temperature	-40°C...+125°C
- Derating Above 85°C	2.5 % / °C
- Temperature Coefficient	0.01 %°C
- Humidity	100 % RH
- Isolation Input / Output	500 VDC / 1 min.
- Isolation Capacity Input / Output	typ.100 pF *
- Isolation Resistor	1G Ohm
* with anti-interference capacitor	ca. 1nF
- Ingress Protection Rating	IP68

Pin-Out



Circuit Block Diagram.



Part Number Example
SI 10W1 - 4 - 2

Unit Type = SI10W
Number Of Outputs (1)
Input Voltage (24V)
Output Voltage (12V)

Dimensions

32 mm x 20 mm x 10.5mm

Pin Diameter Approx : 0.8mm

Output Adjustment Option.

Pin 11 Can Be Specified For Output Adjustment.

When Included For Use, A Potentiometer Can Be Added Between Output Pins 14 and 9 With The Centre Connection To Pin 11, This Would Then Allow Approximately +/-5 % Output Adjustment.

Notes :

- Other Input / Output Voltages Or Special Modules On Request.
- Higher Output Currents On Request.
- Higher Break Down Voltage (Input / Output) On Request.
- The Units Are Available With Extra Earth-Pin On Request.
- Subject To Technical Changes, E&OE.

Other Units In These Series Are Available From 3 to 200 Watts.

*For Our Full Range Of Power Supplies And Converters, Please Contact The ALL PSU Sales Office
Or Visit Our Web Site At www.allpsu.co.uk*

Specifications may change without notice. E&OE. ALL PSU Terms & Conditions Apply.

ALL PSU Ltd, Unit D6 Laser Quay, Culpeper Close, Medway City Estate,
Rochester, Kent, ME2 4HU, Tel : 01634 725527, Fax : 01634 739111,
Email : sales@allpsu.co.uk Web : www.allpsu.co.uk