

# ALL PSU DATA SHEET.

## 20 Watt Triple Output Encapsulated DC/DC-converter SI20W3 Series.

Page 1 of 2

- Output Power 20W max.
- Input / Output Galvanically Isolated
- Filtering At Input
- Overload And Overtemperature Protected
- Copper Case
- For High Ambient Temperatures (125°C) And Long Life
- Wide Input Range
- Overvoltage Protection Output 1
- Trim Facility On Output 1
- 3 Floating Outputs For + or – Connection.



### Standard Models, (Other Input / Output Versions May Be Available On Request).

Nominal DC Input Voltage,	12V (9~18)	24V (18~36)	48V (36~60)	110V (83~130)
Input Voltage Order Code	2	4	5	7
Input To Output	Isolated			
Output Power Rating	Max. 20 W			
Output Voltage (Order Code)	5V, 2x12V (2)		5V, 2x15V (3)	
Output Current	3A, 2x0.1A		3A, 2x0.1A	
Accuracy Output 1	Typ.1%			
Accuracy Output 2 & 3	Typ. 3%			

### Specification

(after warm-up-time at 25°C)

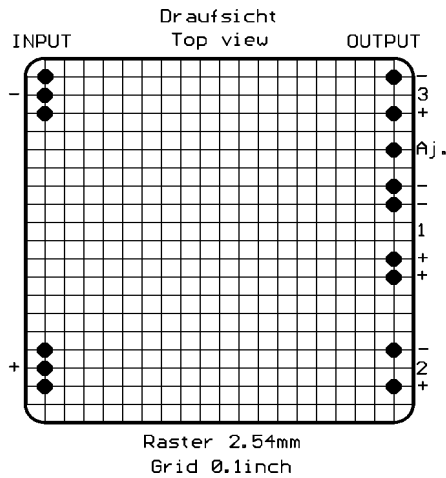
Input Voltage Range @ Full Load	12VDC (9-18VDC) 24VDC (18-36VDC) 48VDC (36-60VDC) 110VDC (83-130VDC)
Output Adjustment	Output 1 +/-5 %
- Regulation Output 1	
- Load Variation 10-90% static	typ 1.0 % (max 2.0 %)
- Input Voltage Variation	typ. 0.5 % (max 1.0 %)
- Recovery Time	100 µs (max 500µs)
- Regulation Outputs 2 & 3	
- Load Variation 5mA-100%	typ. 100mV (max 300mV)
- Recovery Time	typ. 20µs (max 50µs)
- Efficiency @ Full Load And Nominal Input	typ. 74%
- Reflected Output Ripple	1% pp.max.
- Input Ripple	1% pp max.
- Storage Temperature Range	-40°C...+125°C
- Operating Temperature	-40°C...+125°C
- Derating Above 85°C	2.5% / °C
- Temperature Coefficient	0.02 %°C
- Humidity	100 % RH
- Isolation Input / Output	3000 VDC / 1 min.
- Isolation Capacity Input / Output	typ.100 pF *
- Isolation Resistor	1G Ohm
* with anti-interference capacitor	ca. 1nF
- Thermal Limit	ca-/approx. 130 °
- Overvoltage Protection	Standard
- Ingress Protection System	IP68

## ALL PSU DATA SHEET.

Cont ... 20 Watt Triple Output Encapsulated DC-DC Converter, SI20W3 Series.

Page 2 of 2

### Pin-Out / Connections



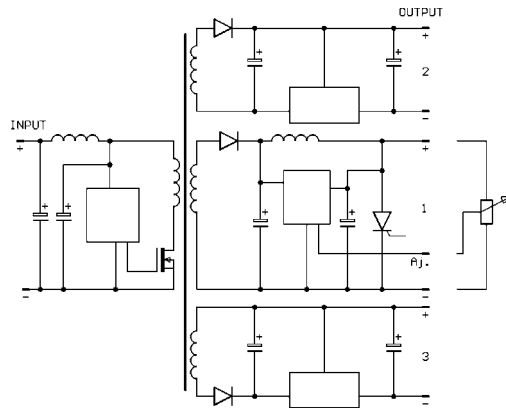
#### Model Number Example.

**SI20W3 - 5 - 2**

= SI20 Series, Triple Output

Input 36~60 VDC, Output 5V, 12V, 12V

### Circuit Block Diagram



#### Dimensions

50.8 x 50.8 x 10.2 mm

Weight approx. 60 g.

Pin Diameter approx.: 0.8mm

#### Notes :

Other Input / Output Voltages Or Special Modules On Request.

Higher Output Currents On Request.

Higher Isolation Voltage (input / output) On Request..

Units Are Available With Earth-pin On Request.

Specifications May Change Without Notice. E&OE.

*Other Units In This Range Are Available From 3 To 200 Watts.*

*For Our Full Range Of DC-DC Converters From 0.5 To 4000 Watts  
Please Contact The ALL PSU Sales Office.*

*Or Visit Us At [www.allpsu.co.uk](http://www.allpsu.co.uk)*

ALL PSU Ltd, Unit D6 Laser Quay, Culpeper Close, Medway City Estate,  
Rochester, Kent, ME2 4HU, Tel : 01634 725527, Fax : 01634 739111,  
Email : [sales@allpsu.co.uk](mailto:sales@allpsu.co.uk) Web : [www.allpsu.co.uk](http://www.allpsu.co.uk)