



electronicpowersolutions

480 Watt, KH Series, Ultra Slim DIN Rail Power Supply

- Universal AC Input & 120~370 VDC
- High Efficiency 94%, High Reliability
- Wide Temperature Range -25 to +70 °C
- Built In DC OK Relay Contact
- Output Status LED, Output Voltage Trim
- Overload, Over Voltage Protected
- Full Approvals: UL/cUL/EN/CE/ATEX
- 5 Year Warranty
- 150% Peak Load Capability (5 seconds)
- Built in remote ON/OFF control



Specification

Specification

Input Voltage (Universal).....	85~264 VAC, 120~370 VDC
Input Frequency.....	47~63 Hz
Inrush Current.....	Cold start, 20A @ 115 VAC, 40A @ 230 VAC
Input Current.....	4.6 A @ 115 VAC, 2.3 A @ 230 VAC
Power Factor.....	0.93 @ 230VAC, 0.98 @ 115 VAC (full load)
Load Regulation.....	Max 96 mV
Line Regulation.....	Max 150 mV
Leakage Current.....	<0.75 mA @ 240 VAC
Output Voltage.....	24 Volts DC Nominal. Adjustment (see table)
Peak Current.....	30 Amps for 5 seconds and max 35% duty cycle
Over Load Protection.....	Works over 101% of peak current and recovers automatically
Over Voltage Protection.....	30.0~36.0 Volts
Start-Up Time.....	750 ms @ 115 VAC full load
Hold Up Time.....	20 ms @ 115 VAC (full load)
Isolation Voltage.....	I/P-O/P: 3 kVAC, I/P-F/G: 2 kVAC, O/P-Gnd: 0.5 kVAC
Operating Temperature.....	-25~+70 °C (see derating curve)
Safety Standards.....	UL508, UL60950-1, C-UL, EN60950-1, EN50178, ATEX GL (Germanischer Lloyd) marine approved (24V only)
EMC Standards.....	FCC Part15 class B, VCCI-B, CISPR22-B, EN55011-B, EN55022-B, IEC61000-3-2 Class A
Dimensions.....	117(D) x 70(W) x 124(H) mm
Weight.....	1.2Kg

Output Models

Model	Output	Adj. range	Efficiency
KHEA-480F-24	24.0 V / 20.0 A	22.5 V ~ 28.5 V	94%
KHEA-480F-48	48.0 V / 10.0 A	45 V ~ 55.2 V	94%

Peak Output Current 150% for 5 Seconds

ALL PSU LTD

Unit D6 | Laser Quay | Culpeper Close | Medway City Estate | Rochester | Kent | ME2 4HU

Tel : 01634 725527 | Fax : 01634 739111

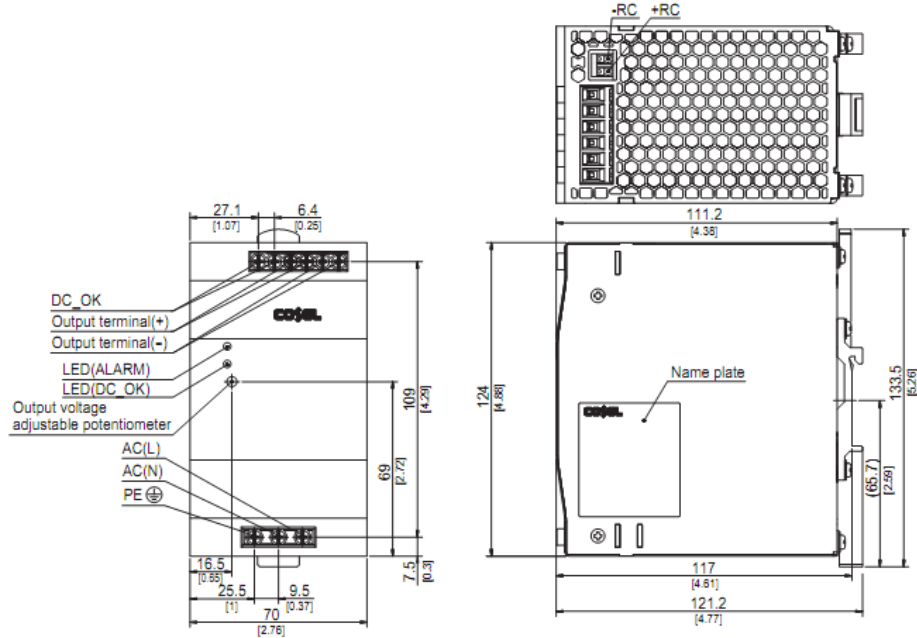
Email : sales@allpsu.co.uk | Web : www.allpsu.co.uk



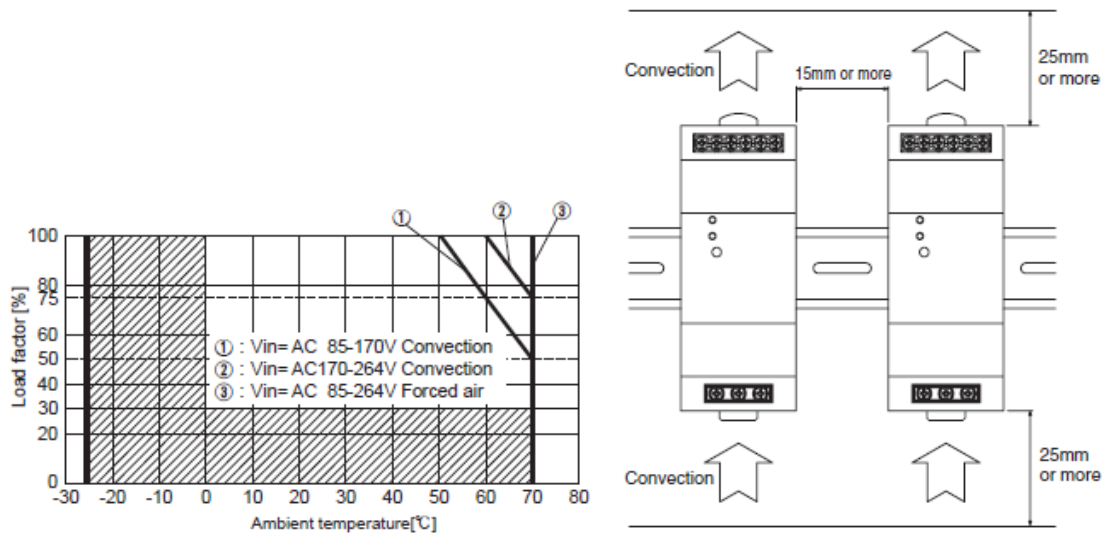
electronicpowersolutions

480 Watt, KH Series, Ultra Slim DIN Rail Power Supply

Connection Details:



Derating Curve:



Specifications are subject to change without notice, E&OE. ALL PSU Terms & Conditions apply.

ALL PSU LTD

Unit D6 | Laser Quay | Culpeper Close | Medway City Estate | Rochester | Kent | ME2 4HU

Tel : 01634 725527 | Fax : 01634 739111

Email : sales@allpsu.co.uk | Web : www.allpsu.co.uk