



electronicpowersolutions

480 Watt, KH Series, Ultra Slim DIN Rail Power Supply

- Universal AC Input & 120~370 VDC
- High Efficiency 94%, High Reliability
- Wide Temperature Range -25 to +70 °C
- Built In DC OK Relay Contact
- Output Status LED, Output Voltage Trim
- Overload, Over Voltage Protected
- Full Approvals: UL/cUL/EN/CE/ATEX
- 5 Year Warranty
- 150% Peak Load Capability (5 seconds)
- Built in remote ON/OFF control



Specification

Specification

| | |
|--------------------------------|---|
| Input Voltage (Universal)..... | 85~264 VAC, 120~370 VDC |
| Input Frequency..... | 47~63 Hz |
| Inrush Current..... | Cold start, 20A @ 115 VAC, 40A @ 230 VAC |
| Input Current..... | 4.6 A @ 115 VAC, 2.3 A @ 230 VAC |
| Power Factor..... | 0.93 @ 230VAC, 0.98 @ 115 VAC (full load) |
| Load Regulation..... | Max 96 mV |
| Line Regulation..... | Max 150 mV |
| Leakage Current..... | <0.75 mA @ 240 VAC |
| Output Voltage..... | 24 Volts DC Nominal. Adjustment (see table) |
| Peak Current..... | 30 Amps for 5 seconds and max 35% duty cycle |
| Over Load Protection..... | Works over 101% of peak current and recovers automatically |
| Over Voltage Protection..... | 30.0~36.0 Volts |
| Start-Up Time..... | 750 ms @ 115 VAC full load |
| Hold Up Time..... | 20 ms @ 115 VAC (full load) |
| Isolation Voltage..... | I/P-O/P: 3 kVAC, I/P-F/G: 2 kVAC, O/P-Gnd: 0.5 kVAC |
| Operating Temperature..... | -25~+70 °C (see derating curve) |
| Safety Standards..... | UL508, UL60950-1, C-UL, EN60950-1, EN50178, ATEX GL (Germanischer Lloyd) marine approved (24V only) |
| EMC Standards..... | FCC Part15 class B, VCCI-B, CISPR22-B, EN55011-B, EN55022-B, IEC61000-3-2 Class A |
| Dimensions..... | 117(D) x 70(W) x 124(H) mm |
| Weight..... | 1.2Kg |

Output Models

| Model | Output | Adj. range | Efficiency |
|--------------|-----------------|-----------------|------------|
| KHEA-480F-24 | 24.0 V / 20.0 A | 22.5 V ~ 28.5 V | 94% |
| KHEA-480F-48 | 48.0 V / 10.0 A | 45 V ~ 55.2 V | 94% |

Peak Output Current 150% for 5 Seconds

ALL PSU LTD

Unit D6 | Laser Quay | Culpeper Close | Medway City Estate | Rochester | Kent | ME2 4HU

Tel : 01634 725527

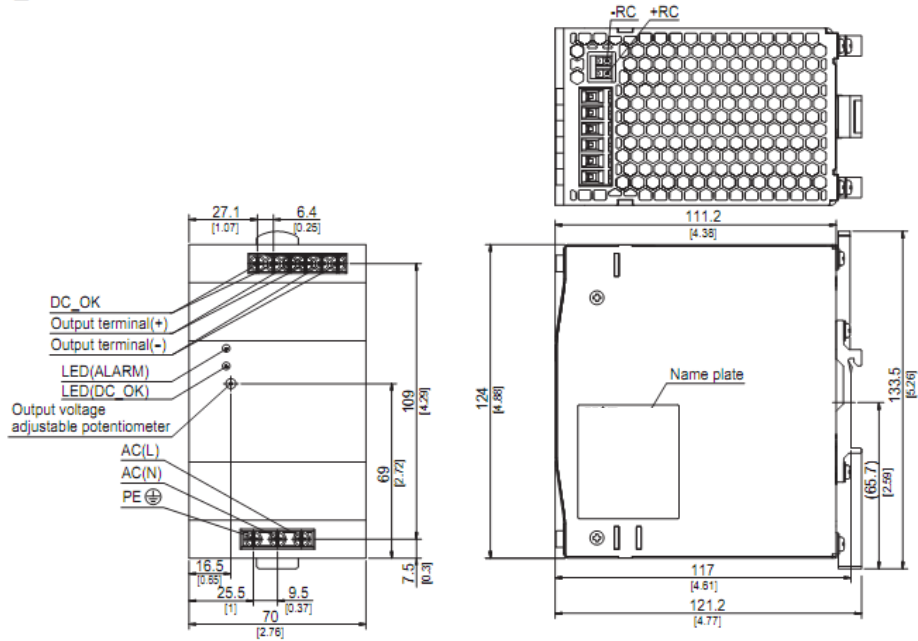
Email : sales@allpsu.co.uk | Web : www.allpsu.co.uk



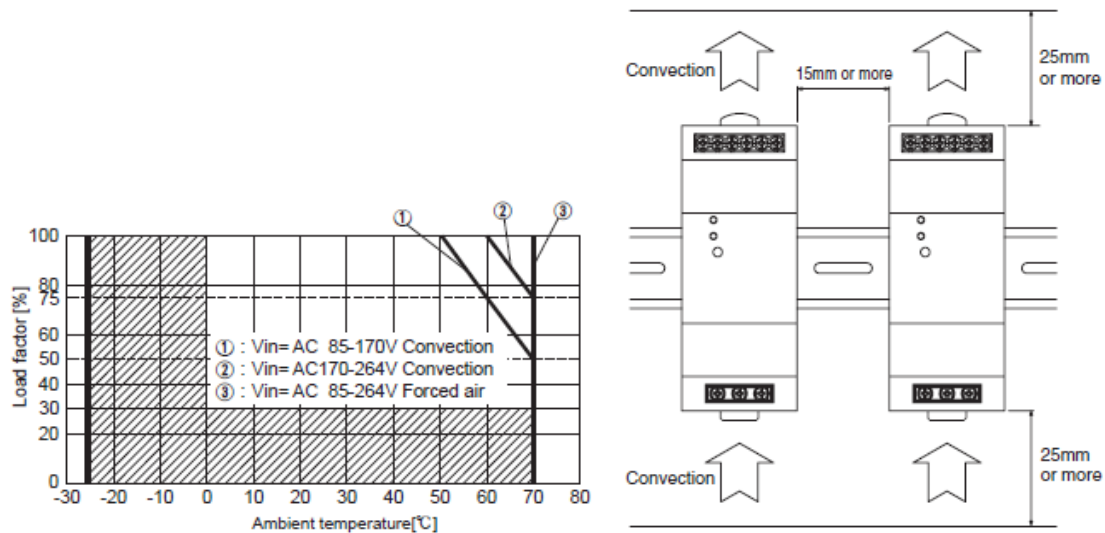
electronicpowersolutions

480 Watt, KH Series, Ultra Slim DIN Rail Power Supply

Connection Details:



Derating Curve:



Specifications are subject to change without notice, E&OE. ALL PSU Terms & Conditions apply.

ALL PSU LTD

Unit D6 | Laser Quay | Culpeper Close | Medway City Estate | Rochester | Kent | ME2 4HU Tel : 01634 725527

Email : sales@allpsu.co.uk | Web : www.allpsu.co.uk